

Revalco®

Made in Italy

trasformatori per media tensione
medium voltage transformers



TRASFORMATORI DI CORRENTE TOROIDALI

TOROIDAL CURRENT TRANSFORMERS

**IDONEI ALL'INSTALLAZIONE IN CABINE ELETTRICHE
CONNESSE ALLA RETE DI MEDIA TENSIONE - 0,72kV**

**SUITABLE FOR INSTALLATION IN ELECTRIC CABINETS
CONNECTED TO MEDIUM-VOLTAGE NETWORK - 0,72 kV**

**IN CONFORMITA' ALLA NORMA
CEI 0-16 Ed. III - Dicembre 2012**

**FOLLOWING TO THE STANDARD
CEI 0-16 Ed. III - December 2012**

TEN50R - TEN60R

Trasformatori di corrente per la protezione della massima corrente definito dalla norma CEI 0-16 "AUTOMATICAMENTE IDONEO".

Trasformatori dedicati all'alimentazione della protezione generale (PG) la cui funzione principale è quella di proteggere, il più possibile in modo selettivo, la rete del Distributore in caso di guasto all'interno della rete del cliente e non le apparecchiature elettriche. I TEN... devono poter alimentare con errori accettabili la protezione PG nel campo di variabilità atteso per la corrente di guasto primaria.

TEN50R 300A Rapporto 300/5A - Classe 5P30 - Potenza 10VA

TEN50R 1 300A Rapporto 300/1A - Classe 5P30 - Potenza 5VA

TEN60R 300A Rapporto 300/5A - Classe 5P30 - Potenza 10VA

TEN60R 1 300A Rapporto 300/1A - Classe 5P30 - Potenza 5VA

- Classe di isolamento II
- Corrente termica nominale permanente 1,2 I_{pn}
- Corrente termica nominale di corto circuito 12,5/16 kA per 1 secondo
- Corrente dinamica nominale 31,5/40 kA pk
- Tensione di prova 3kV a 50Hz per 1 minuto
- Temperatura di funzionamento -20...+40°C
- Tensione di riferimento per l'isolamento 0,72 kV
- Frequenza di impiego 40...60Hz
- Grado di protezione IP40
- Classe di isolamento (EN 60085) A
- Fissaggio direttamente su cavo
- Costruzione secondo le norme CEI EN60044-1
- Prova d'urto secondo le norme CEI EN60309:5 J
- Tenuta alle correnti striscianti IEC 112:500V
- Isolamento a secco in resina
- Toroidi inglobati in calotta termoplastica tipo ABS autoestinguente secondo le norme UL94:V0
- Installazione per interno
- Coprimorsetto sigillabile sul secondario
- Diametro interno adatto per cavo isolato a 24 kV

TEN50R - TEN60R

Current transformers for the overcurrent protection defined by the CEI 0-16 "AUTOMATICALLY ELIGIBLE".

Transformers dedicated to power the General Protection (PG) and their principal function is to protect, in selective way, the Energy Distributor net in case of damage.

TEN... transformers must power, with acceptable errors, the PG protection within the variable range accepted by the primary current.

TEN50R 300A Ratio 300/5A - Class 5P30 - Power 10VA

TEN50R 1 300A Ratio 300/1A - Class 5P30 - Power 5VA

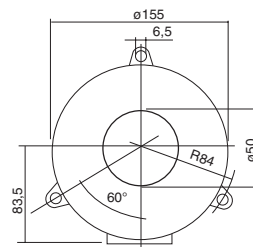
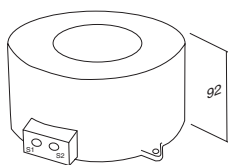
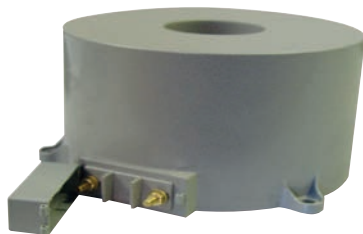
TEN60R 300A Ratio 300/5A - Class 5P30 - Power 10VA

TEN60R 1 300A Ratio 300/1A - Class 5P30 - Power 5VA

- Insulation class II
- Permanent nominal thermic current 1,2 I_{pn}
- Short circuit nominal thermic current 12,5/16 kA for 1 second
- Nominal dynamic current 31,5/40 kA pk-
- Test voltage 3kV at 50Hz for 1 min
- Working temperature -20...+40°C
- Insulation voltage 0,72kV
- Frequency 40.....60Hz
- Protection degree IP 40
- Insulation Class (EN 60085) A
- Fixing system: directly on cable
- Construction following the standards CEI EN60044-1
- Shock test according to CEI EN60309:5 J
- Resistance to tracking currents IEC 112:500V
- Dry insulation resin
- Toroid encased in thermoplastic ABS case, self-extinguishing according to UL94:V0 standard
- Indoor installation
- Sealable terminal cover on the secondary
- Internal diameter suitable for insulated cable 24 kV

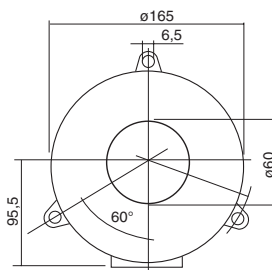
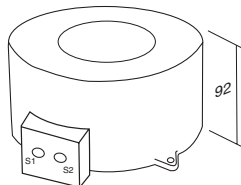
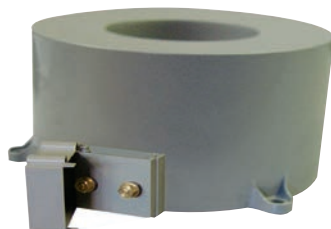
TEN50R

- Peso/Weight: 8 Kg



TEN60R

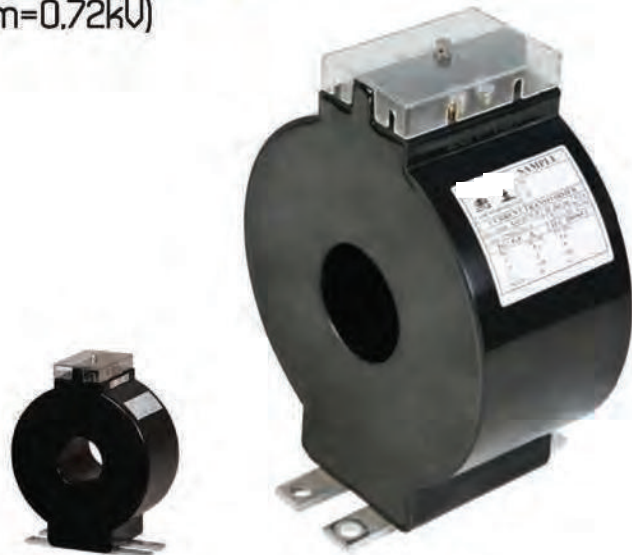
- Peso/Weight: 9 Kg



**INDOOR TYPE (CABLE TYPE) CAST RESIN INSULATED
AND
ENCLOSED BY PLASTIC COVER
CURRENT TRANSFORMERS
(Um=0,72kV)**

Type : TEN

- Width 35, 55mm up to 1 core.*
- Width 95, 115mm up to 2 cores.*

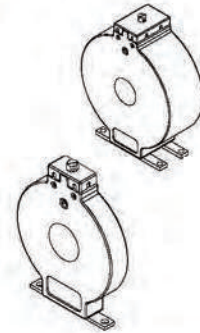
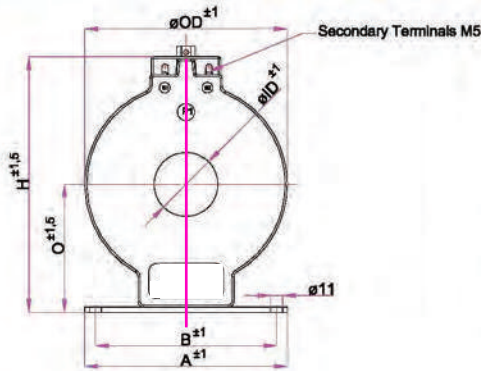
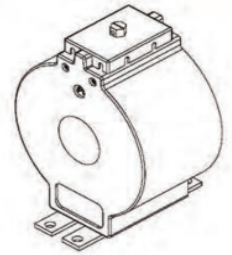
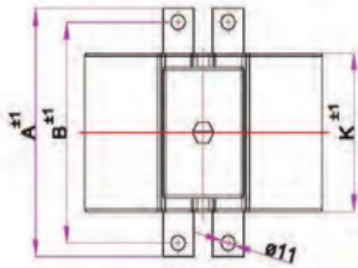


Technical Data ✓

TYPES	TEN
Operating voltage, Um (kV)	0,72
Rated power-frequency withstand voltage (1 minute) (kV)	3
Rated impulse test voltage (1,2/50 μs) full wave (kV)	-
Rated frequency (Hz)	50-60
Primary rated current (A)	40 3000
Secondary rated current (A)	1-5
Metering classes	0,2 - 0,2S - 0,5 - 0,5S - 1 - 3 - 5 Acc. to IEC 61869-2
Protection classes	5P- 10P; Acc. to IEC 61869-2
Rated short-time thermal current (I _{th}) (1s) (kA)	max. 100
Rated dynamic current (I _{dyn}) (kA)	Practically unlimited
Insulation class	E
Ambient temperature (°C)	-25.....+40**
Altitude (m)	1000
Standard	According to the customer requirements

* For more cores, please contact

** It can be produced according to customer's specified ambient temperature. Please contact



TYPE (With Horizontal Mounted Plates) CURRENT TRANSFORMER

As can be seen in the below tables there are various dimensions of KAP Types. Please contact with RVC for feasibility of required transformer's which have different ratio, class, burden and dimensions.

TIGHTENING TORQUE (Nm)	min.	max.
M5 (Secondary Terminal)	2.5	3.5

Attention: Transformers which have 35mm height (K), there is only one connection plate.

(DIMENSIONS)*

NO	TYPE	ID	OD	H	K	O	A	B	C
1	TEN 40/190-35	40	190	241	35	119	150	130	-
2	TEN 40/190-55	40	190	241	55	119	150	130	25
3	TEN 40/190-95	40	190	241	95	119	150	130	40
4	TEN 40/190-115	40	190	241	115	119	170	150	40
5	TEN 60/190-35	60	190	241	35	119	150	130	-
6	TEN 60/190-55	60	190	241	55	119	150	130	25
7	TEN 60/190-95	60	190	241	95	119	150	130	40
8	TEN 60/190-115	60	190	241	115	119	170	150	40
9	TEN 80/190-35	80	190	241	35	119	150	130	-
10	TEN 80/190-55	80	190	241	55	119	150	130	25
11	TEN 80/190-95	80	190	241	95	119	150	130	40
12	TEN 80/190-115	80	190	241	115	119	170	150	40
13	TEN 40/210-35	40	210	261	35	129	150	130	-
14	TEN 40/210-55	40	210	261	55	129	150	130	25
15	TEN 40/210-95	40	210	261	95	129	150	130	40
16	TEN 40/210-115	40	210	261	115	129	170	150	40
17	TEN 60/210-35	60	210	261	35	129	150	130	-
18	TEN 60/210-55	60	210	261	55	129	150	130	25
19	TEN 60/210-95	60	210	261	95	129	150	130	40
20	TEN 60/210-115	60	210	261	115	129	170	150	40
21	TEN 80/210-35	80	210	261	35	129	150	130	-
22	TEN 80/210-55	80	210	261	55	129	150	130	25
23	TEN 80/210-95	80	210	261	95	129	150	130	40
24	TEN 80/210-115	80	210	261	115	129	170	150	40

NO	TYPE	ID	OD	H	K	O	A	B	C
25	TEN 40/250-35	40	250	301	35	149	150	130	-
26	TEN 40/250-55	40	250	301	55	149	150	130	25
27	TEN 40/250-95	40	250	301	95	149	150	130	40
28	TEN 40/250-115	40	250	301	115	149	170	150	40
29	TEN 60/250-35	60	250	301	35	149	150	130	-
30	TEN 60/250-55	60	250	301	55	149	150	130	25
31	TEN 60/250-95	60	250	301	95	149	150	130	40
32	TEN 60/250-115	60	250	301	115	149	170	150	40
33	TEN 80/250-35	80	250	301	35	149	150	130	-
34	TEN 80/250-55	80	250	301	55	149	150	130	25
35	TEN 80/250-95	80	250	301	95	149	150	130	40
36	TEN 80/250-115	80	250	301	115	149	170	150	40
37	TEN 100/250-35	100	250	301	35	149	150	130	-
38	TEN 100/250-55	100	250	301	55	149	150	130	25
39	TEN 100/250-95	100	250	301	95	149	150	130	40
40	TEN 100/250-115	100	250	301	115	149	170	150	40
41	TEN 120/250-55	120	250	301	55	149	150	130	25
42	TEN 120/250-95	120	250	301	95	149	150	130	40
43	TEN 120/250-115	120	250	301	115	149	170	150	40
44	TEN 150/250-55	150	250	301	55	149	150	130	25
45	TEN 150/250-95	150	250	301	95	149	150	130	40
46	TEN 150/250-115	150	250	301	115	149	170	150	40
47	TEN 100/190-55	100	190	241	55	119	150	130	25
48	TEN 100/190-95	100	190	241	95	119	150	130	40
49	TEN 100/190-115	100	190	241	115	119	170	150	40
50	TEN 170/250-55	170	250	301	55	149	150	130	25
51	TEN 170/250-95	170	250	301	95	149	150	130	40
52	TEN 170/250-115	170	250	301	115	149	170	150	40

* All dimensions are in mm.

**INDOOR TYPE (SPLIT TYPE) CAST RESIN INSULATED
AND
ENCLOSED BY PLASTIC COVER
CURRENT TRANSFORMERS
(Um=0.72kV)**

Type : TEN-A

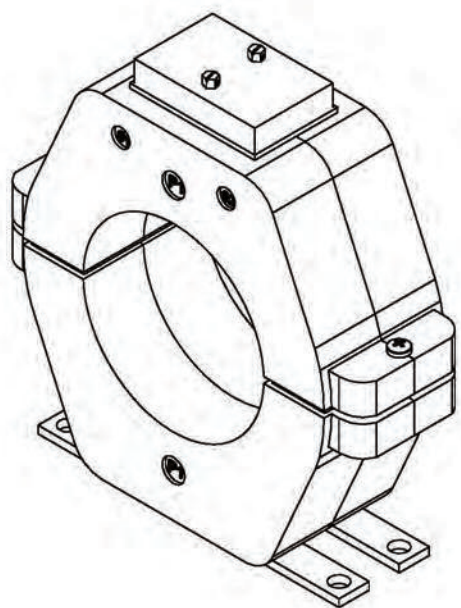
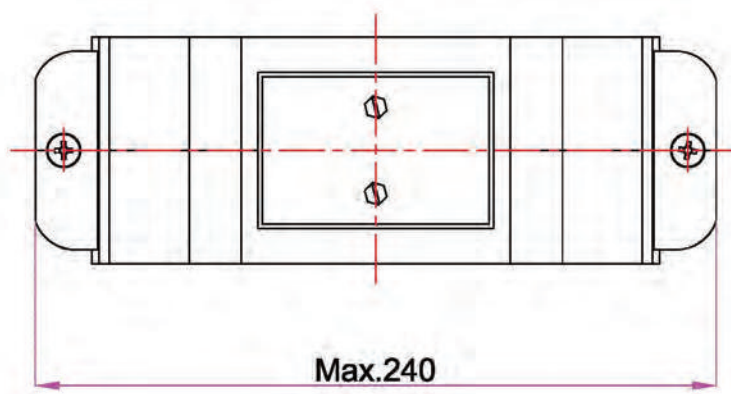
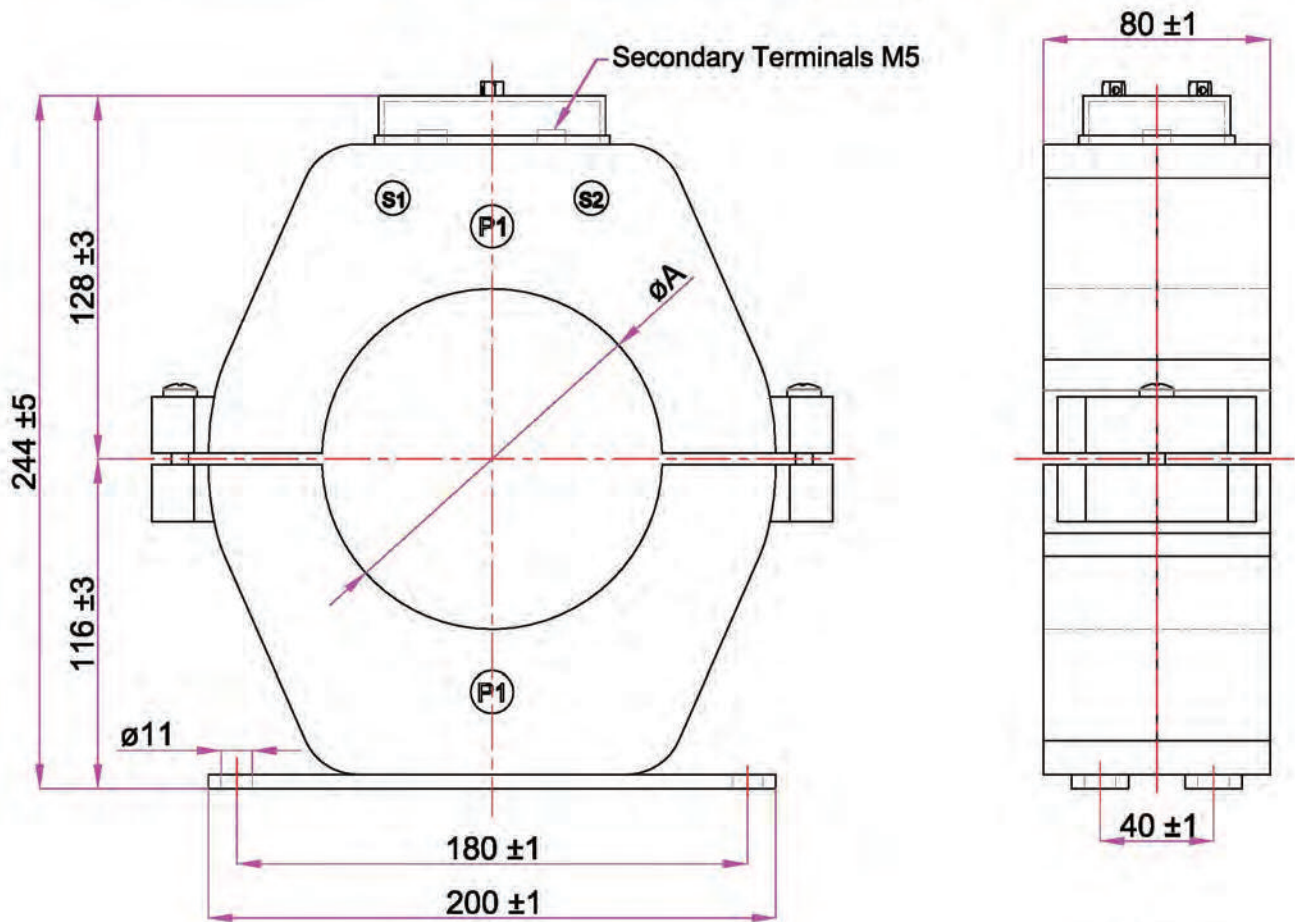
- Inside Diameters: $\varnothing 80$ / $\varnothing 100$ / $\varnothing 120$



Technical Data ▾

TYPES	TEN-A
Operating voltage, Um (kV)	0.72
Rated power-frequency withstand voltage (1 minute) (kV)	3
Rated impulse test voltage (1.2/50 μ s) full wave (kV)	-
Rated frequency (Hz)	50-60
Primary rated current (A)	50 2000
Secondary rated current (A)	1-5
Metering classes	0.2 - 0.2S - 0.5 - 0.5S - 1 - 3 - 5 Acc. to IEC 61869-2
Protection classes	5P- 10P; Acc. to IEC 61869-2
Rated short-time thermal current (I _{th}) (1s) (kA)	max. 100
Rated dynamic current (I _{dyn}) (kA)	Practically unlimited
Insulation class	E
Ambient temperature (°C)	-25.....+40*
Altitude (m)	1000
Standard	According to the customer requirements

* It can be produced according to customer's specified ambient temperature. Please contact



TIGHTENING TORQUE (Nm)	min.	max.
M5 (Secondary Terminal)	2.5	3.5

NO	ϕA
1	80
2	100
3	120

* All dimensions are in mm.

TRASFORMATORI DI CORRENTE

CURRENT TRANSFORMERS

INDOOR SUPPORT TYPE CAST RESIN INSULATED CURRENT TRANSFORMERS
(Um=3.6kV 12kV BLOCK TYPES)

Types : RTATB10-B
RTATB10-B3
RTATB10-2

- Up to 3 cores*
- On request with capacitive layer.
- On request with barrier.



Technical Data

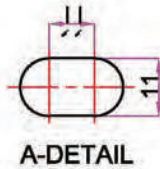
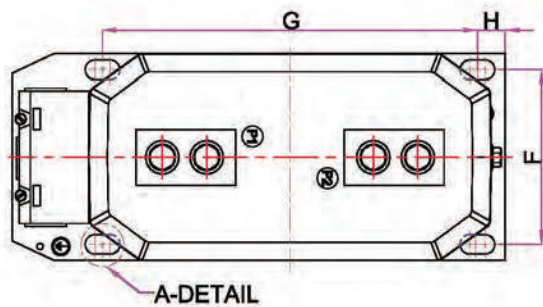
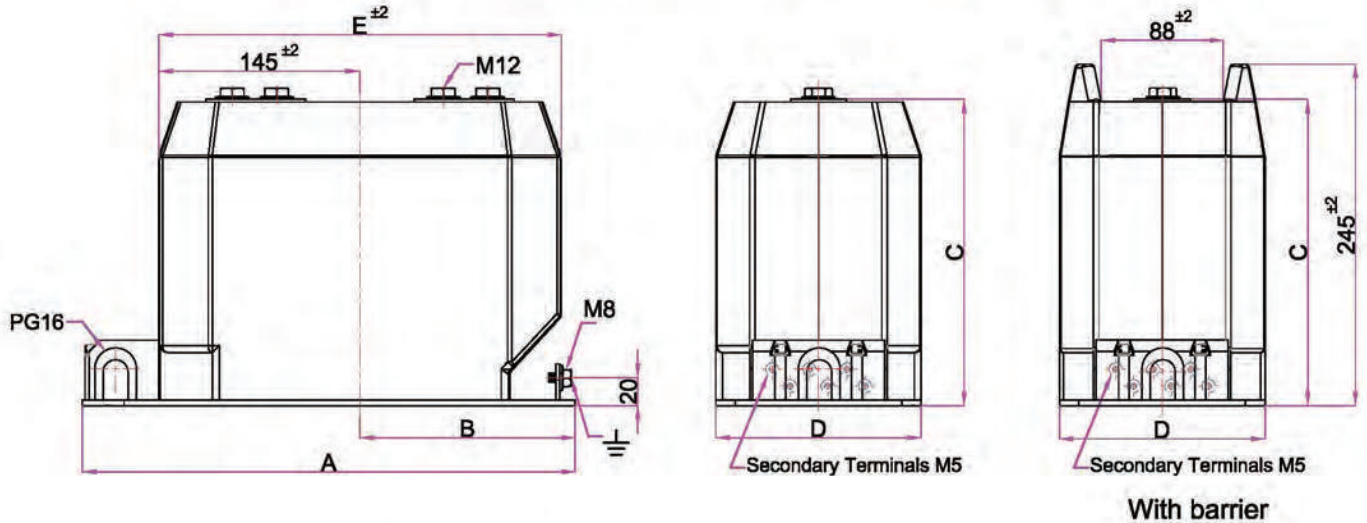
RTATB10

TYPES	B	B3	2	
Operating voltage, Um (kV)	3,6	7,2	12	17,5
Rated power-frequency withstand voltage (1 minute) (kV)	10	20	28	38
Rated impulse test voltage (1,2/50 μs) full wave (kV)	40	60	75	95
Rated frequency (Hz)	50-60			
Primary rated current (A)	5 - 2500 (On request 3150A 10xIn / Cont. & Insulation class B)			
Primary reconnection (A)	100	2 x 5 - 2 x 600		
Secondary rated current (A)	1-5			
Metering classes	0,2 - 0,2S - 0,5 - 0,5S - 1 - 3 - 5 Acc. to IEC 61869-2			
Protection classes	5P- 10P: Cl:PX Acc. to IEC 61869-2			
Rated short-time thermal current (I _{th}) (I _s) (kA)	max. 1000 x I _n			
Rated dynamic current (I _{dyn}) (kA)	2,5 x I _{th}			
Short-time load (mechanical) (N)	5000			
Insulation class	E			
Ambient temperature (°C)	-25 +40**			
Altitude (m)	1000			
Standard	According to the customer requirements			
Weight (approx.) (kg)	20-25	33-36	36	

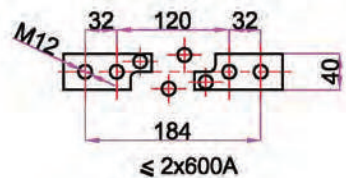
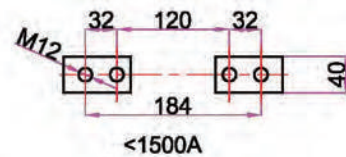
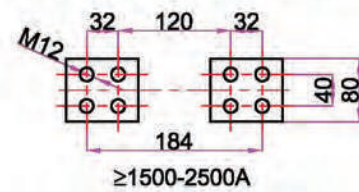
* For more cores please contact

** It can be produced according to customer's specified ambient temperature. Please contact

INDOOR SUPPORT TYPE CAST RESIN INSULATED C.T.'S TECHNICAL DRAWING (Um=3.6kV 12kV BLOCK TYPES)



Primary Connection Bars



TYPES	A	B	C	D	E	F	G	H	TIGHTENING TORQUE (Nm)	min.	max.
RTATB-B	355	155	220	148	290	125	270	20	M5 (Secondary Terminal)	2.5	3.5
RTATB-B3	455	255	220	148	390	125	370	20	M8 (Ground Terminal)	15	20
RTATB-2	355	155	220	175	290	150	270	20	M12 (Primary Terminal)	60	70

- All dimensions are in mm.
- Tolerances are according to DIN 7168-g when not specified.
- RVC reserves the right to change the specifications and the dimensions of the goods. Please ask for updated information.
- Customer designed products are also available.

INDOOR SUPPORT TYPE CAST RESIN INSULATED CURRENT TRANSFORMERS (Um=3,6kV 12kV, 17,5 24kV NEW BLOCK TYPES)

Types: RTATB10- BS (With barrier IO-BSB)
 RTATB10- BS2 (With barrier IO-BS2B)
 RTATB10- BS3 (With barrier IO-B3B)
 RTATB10- B4 (With barrier IO-B4B)
 RTATB20- BS (With barrier 20-BSB)

- Up to 3 cores*
- On request with capacitive layer.
- On request with barrier.

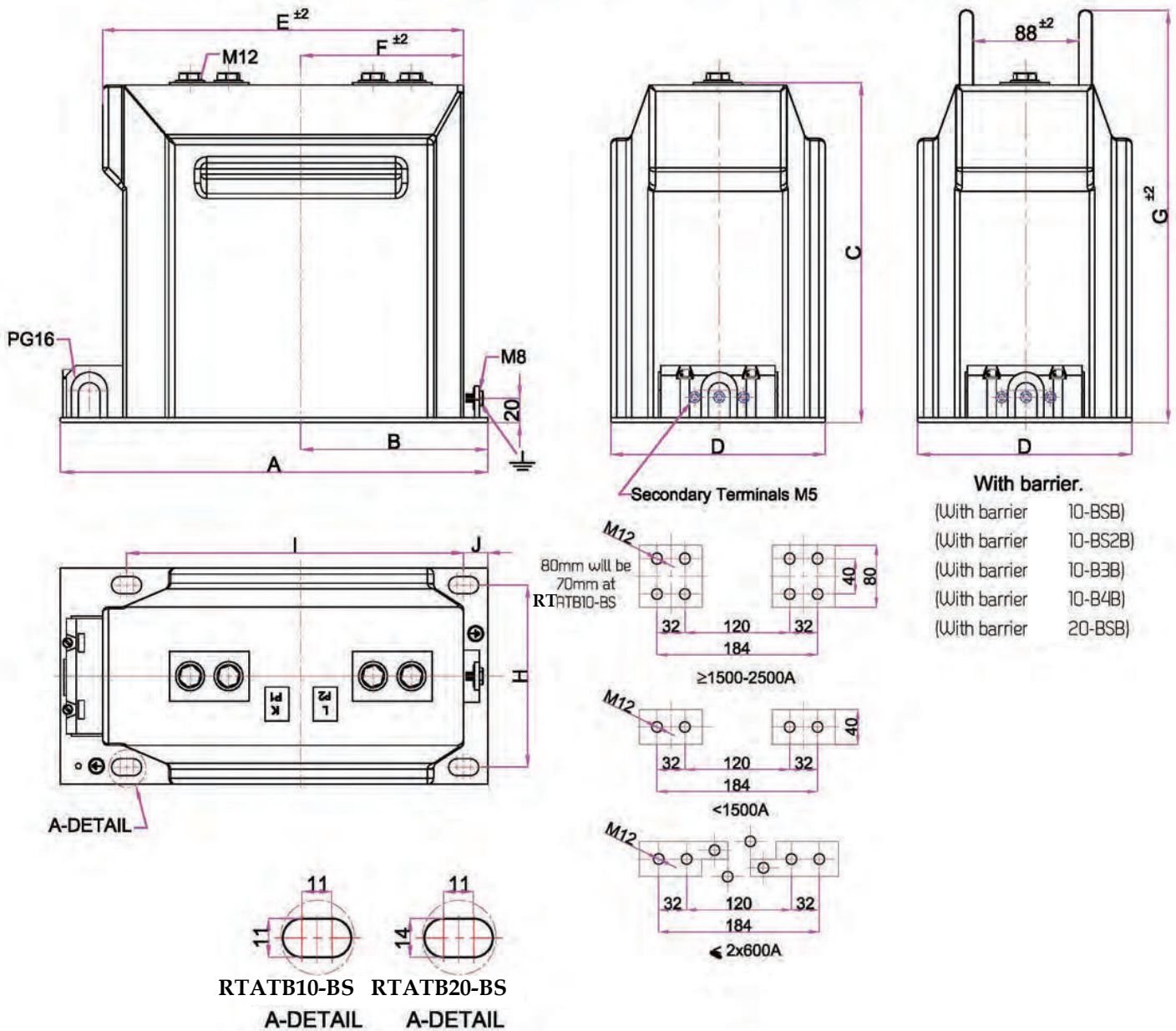


Technical Data ▼

TYPES	RTATB10				RTATB20	
	BS	BS2	BS3	B4	BS	
Operating voltage, Um (kV)	3,6	7,2	12	17,5	17,5	24
Rated power-frequency withstand voltage (1 minute) (kV)	10	20	28	38	38	50
Rated impulse test voltage (1,2/50 μs) full wave (kV)	40	60	75	95	95	125
Rated frequency (Hz)	50-60					
Primary rated current (A)	5 - 2500 (On request 3150A 1.0xIn / Cont. B Insulation class B)					
Primary reconnection (A)	2 x 5 - 2 x 600					
Secondary rated current (A)	1-5					
Metering classes	0,2 - 0,2S - 0,5 - 0,5S - 1 - 3 - 5 Acc. to IEC 60044-1					
Protection classes	5P- 10P: Cl:PX Acc. to IEC 60044-1					
Rated short-time thermal current (Ith) (Is) (kA)	max. 1000 x In					
Rated dynamic current (Idyn) (kA)	2,5 x Ith					
Short-time load (mechanical) (N)	5000					
Insulation class	E					
Ambient temperature (°C)	-25 +40**					
Altitude (m)	1000					
Standard	According to the customer requirements					
Weight (approx.) (kg)	20 - 25	28-33	33-36	30		

* For more cores please contact
 ** It can be produced according to customer's specified ambient temperature. Please contact

INDOOR SUPPORT TYPE CAST RESIN INSULATED C.T.'S TECHNICAL DRAWING (Um=3,6kV 12kV, 17.5 24kV NEW BLOCK TYPES)



TYPES	A	B	C	D	E	F	G	H	I	J
RTATB10-BS	355	155	220	148	299	135	245	125	270	20
RTATB10-BS2	355	155	280	175	300	135	245	150	270	20
RTATB10-BS3	455	255	220	148	390	245	245	125	370	20
RTATB10-B4	455	255	220	148	390	245	280	125	370	20
RTATB20-BS	355	155	280	178	300	135	340	150	280	20

TIGHTENING TORQUE (Nm)	min.	max.
M5 (Secondary Terminal)	2.5	3.5
M8 (Ground Terminal)	15	20
M12 (Primary Terminal)	60	70

- All dimensions are in mm.
- Tolerances are according to DIN 7168-g when not specified.
- RVC reserves the right to change the specifications and the dimensions of the goods. Please ask for updated information.
- Customer designed products are also available.

INDOOR SUPPORT TYPE CAST RESIN INSULATED CURRENT TRANSFORMERS (Um=3.6kV 12kV NARROW BLOCK TYPES)

**Types: RTATB10 - 10
RTATB10 - 15**

- ATB 10-10 up to 1 core*
- ATB 10-15 up to 2 cores.*
- On request with capacitive layer.



Technical Data ▼

RTATB10

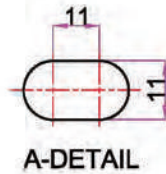
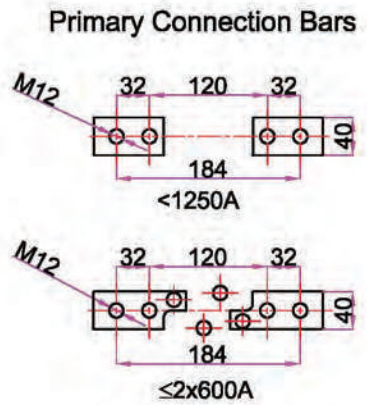
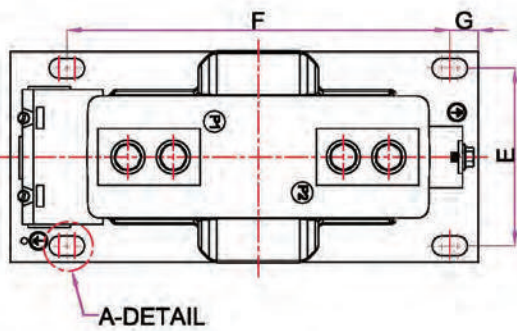
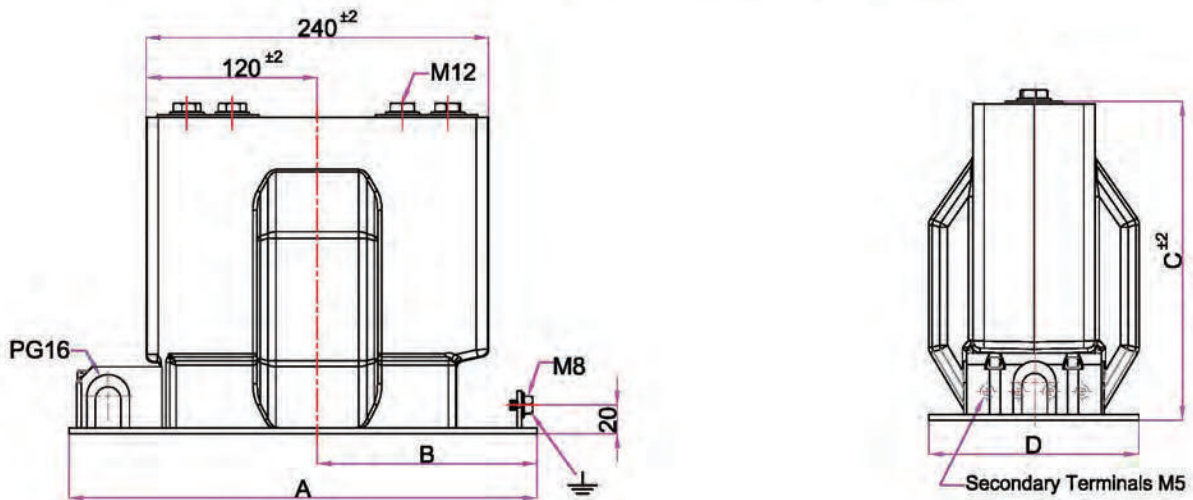
TYPES	10		15	
Operating voltage, Um (kV)	3,6	7,2	12	17,5
Rated power-frequency withstand voltage (1 minute) (kV)	10	20	28	38
Rated impulse test voltage (1,2/50 μs) full wave (kV)	40	60	75	95
Rated frequency (Hz)	50-60			
Primary rated current (A)	5-up to 1250			
Primary reconnection (A)	2x5- 2x600			
Secondary rated current (A)	1-5			
Metering classes	0,2 - 0,2S - 0,5 - 0,5S - 1 - 3 - 5 Acc. to IEC 61869-2			
Protection classes	5P- 10P, Cl:PX Acc. to IEC 61869-2			
Rated short-time thermal current (I _{th}) (I _s) (kA)	(max. 200 × I _n)**			
Rated dynamic current (I _{dyn}) (kA)	2,5 × I _{th}			
Short-time load (mechanical) (N)	5000			
Insulation class	E			
Ambient temperature (°C)	-25 +40***			
Altitude (m)	1000			
Standard	According to the customer requirements			
Weight (approx.) (kg)	12		17	

* For more cores please contact

** May vary according to requested primary current and core values.

*** It can be produced according to customer's specified ambient temperature. Please contact

INDOOR SUPPORT TYPE CAST RESIN INSULATED C.T.'S TECHNICAL DRAWING (Um=3,6kV 12kV NARROW BLOCK TYPES)



TYPES	A	B	C	D	E	F	G
RTATB10 - 10	330	155	220	148	125	270	20
RTATB10 - 15	330	155	220	148	125	270	20

TIGHTENING TORQUE (Nm)	min.	max.
M5 (Secondary Terminal)	2.5	3.5
M8 (Ground Terminal)	15	20
M12 (Primary Terminal)	60	70

- All dimensions are in mm.
- Tolerances are according to DIN 7168-g when not specified.
- RVC reserves the right to change the specifications and the dimensions of the goods. Please ask for updated information.
- Customer designed products are also available.

INDOOR SUPPORT TYPE CAST RESIN INSULATED CURRENT TRANSFORMERS (Um=17.5kV 24kV BLOCK TYPES)

Types : RTATB20-B
 RTATB20-B2
 RTATB20-B4
 RTATB20-3
 RTATB20-3B
 RTATB20-3K

- Up to 3 cores.*
- On request with capacitive layer.
- On request with barrier.



Technical Data ▼

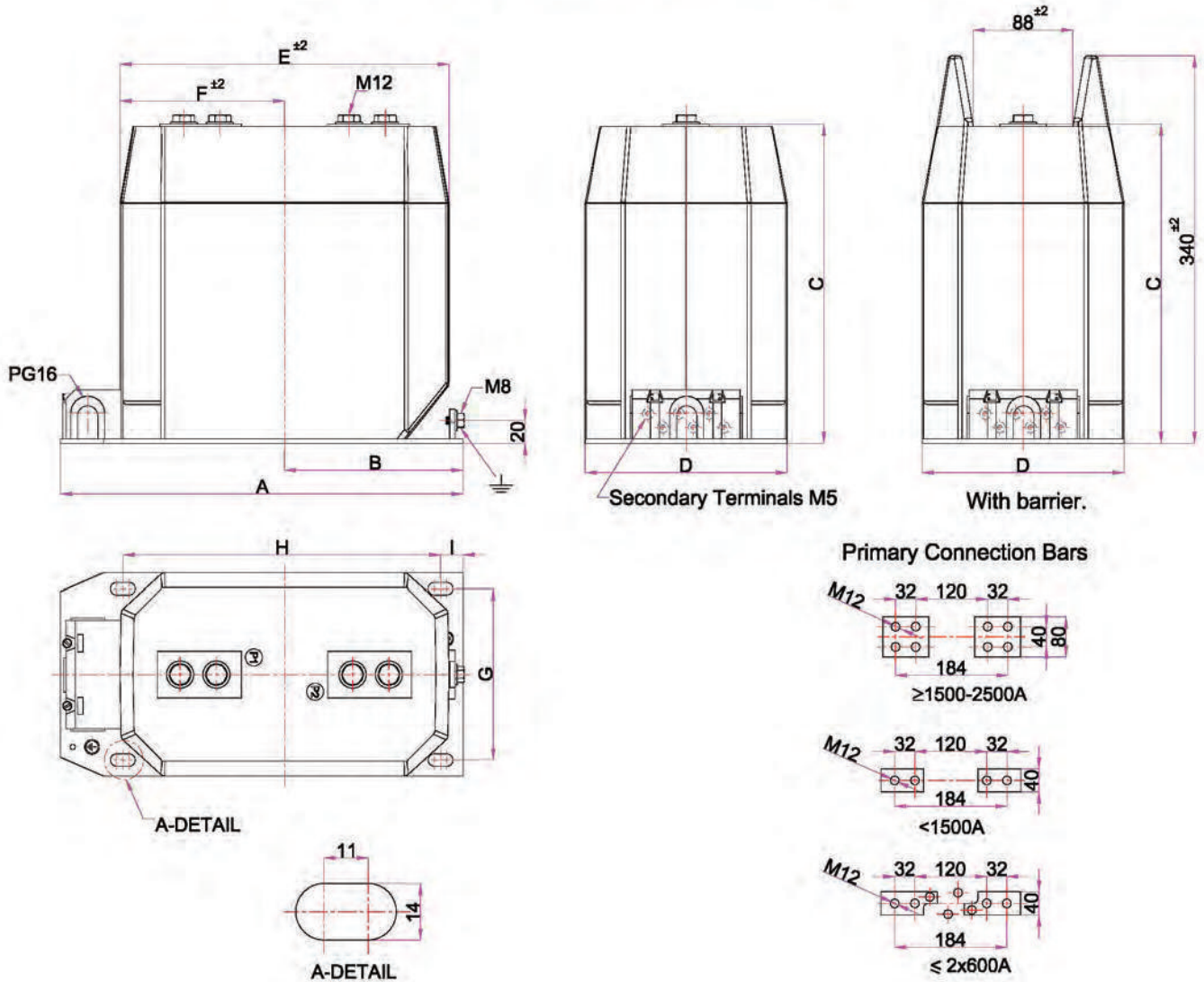
RTATB20

TYPES	B	B2	B4	3	3B	3K
Operating voltage, Um (kV)			17.5		24	
Rated power-frequency withstand voltage (1 minute) (kV)			38		50	
Rated impulse test voltage (1.2/50 μs) full wave (kV)			95		125	
Rated frequency (Hz)			50-60			
Primary rated current (A)			5 - 2500			(On request 3150A 1.0xIn / Cont. 6 Insulation class B)
Primary reconnection (A)			2 x 5 - 2 x 600			
Secondary rated current (A)			1-5			
Metering classes	0.2 - 0.2S - 0.5 - 0.5S - 1 - 3 - 5 Acc. to IEC 61869-2					
Protection classes	5P- 10P; Cl:PX Acc. to IEC 61869-2					
Rated short-time thermal current (I _{th}) (I _s) (kA)	max. 1000 x I _n					
Rated dynamic current (I _{dyn}) (kA)	2.5 x I _{th}					
Short-time load (mechanical) (N)	5000					
Insulation class	E					
Ambient temperature (°C)	-25 +40**					
Altitude (m)	1000					
Standard	According to the customer requirements					
Weight (approx.) (kg)	30	42	44	44	55	70

* For more cores please contact

** It can be produced according to customer's specified ambient temperature. Please contact

INDOOR SUPPORT TYPE CAST RESIN INSULATED C.T.'S TECHNICAL DRAWING (Um=17.5kV 24kV BLOCK TYPES)



TYPES	A	B	C	D	E	F	G	H	I
RTATB20-B	355	155	280	178	290	145	150	280	20
RTATB20-B2	355	155	280	205	290	145	180	280	17
RTATB20-B4	355	155	280	218	290	145	190	280	17
RTATB20-3	455	197	280	178	390	195	150	375	22
RTATB20-3B	455	197	280	205	390	195	180	375	22
RTATB20-3K	455	197	280	218	390	195	190	375	22

TIGHTENING TORQUE (Nm)	min.	max.
M5 (Secondary Terminal)	2.5	3.5
M8 (Ground Terminal)	15	20
M12 (Primary Terminal)	60	70

- All dimensions are in mm.
- Tolerances are according to DIN 7168-g when not specified.
- RVC reserves the right to change the specifications and the dimensions of the goods. Please ask for updated information.
- Customer designed products are also available.

INDOOR SUPPORT TYPE CAST RESIN INSULATED CURRENT TRANSFORMERS (Um=17.5kV 24kV NEW BLOCK TYPES)

Types : RTATB20-3A (With barrier -3AB)
RTATB20-3B (With barrier -3BB)

- Up to 3 cores.*
- On request with capacitive layer.
- On request with barrier.



Technical Data ▼

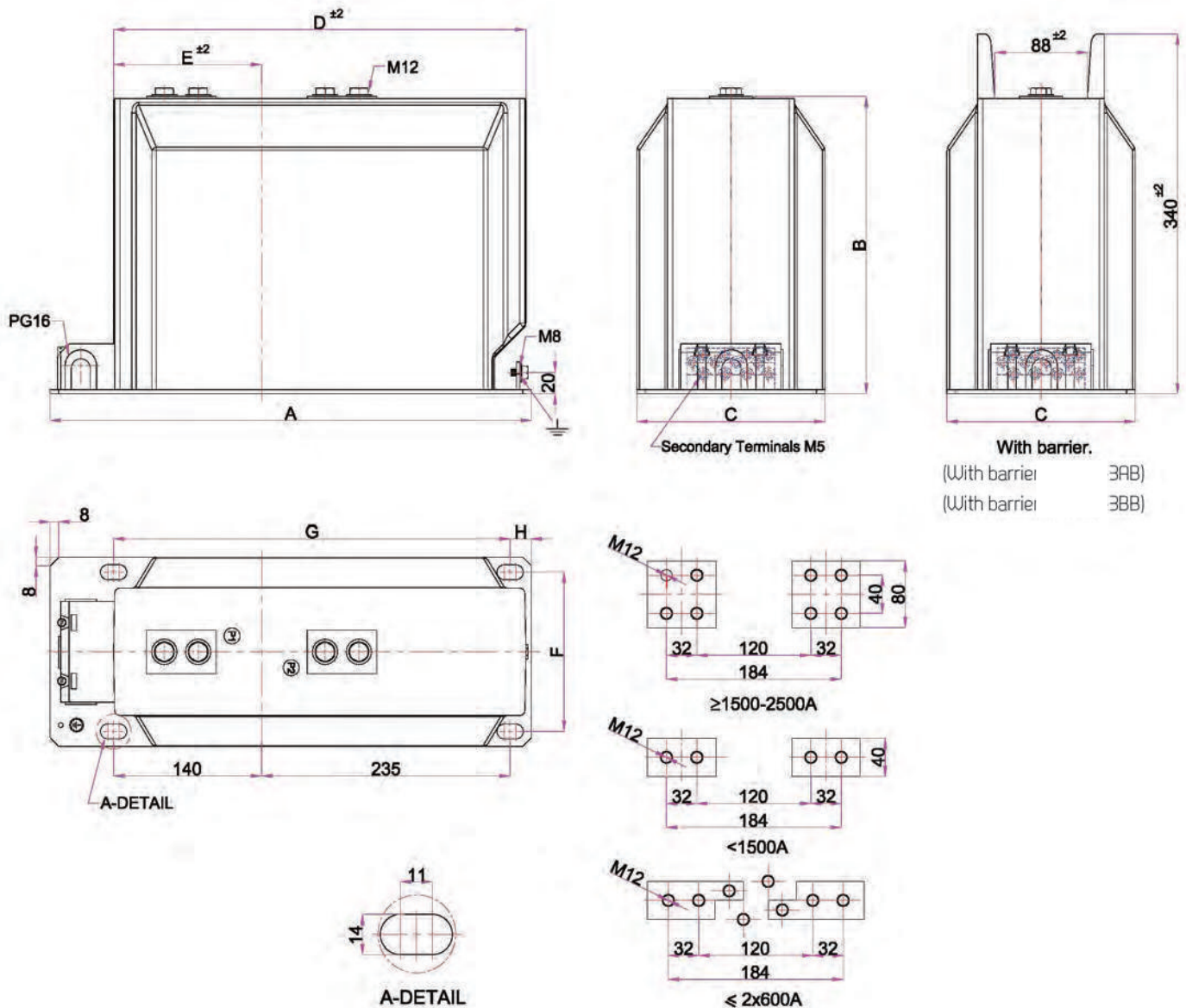
RTATB20

TYPES	3A	3B
Operating voltage. Um (kV)	17.5	24
Rated power-frequency withstand voltage (1 minute) (kV)	38	50
Rated impulse test voltage (1.2/50 μs) full wave (kV)	95	125
Rated frequency (Hz)	50-60	
Primary rated current (A)	5 - 2500 <small>(On request 3150A 1.0xIn / Cont. & insulation class B)</small>	
Primary reconnection (A)	2 x 5 - 2 x 600	
Secondary rated current (A)	1-5	
Metering classes	0.2 - 0.2S - 0.5 - 0.5S - 1 - 3 - 5 Acc. to IEC 61869-2	
Protection classes	5P- 10P; Cl:PX Acc. to IEC 61869-2	
Rated short-time thermal current (Ith) (Is) (kA)	max. 1000 x In	
Rated dynamic current (Idyn) (kA)	2.5 x Ith	
Short-time load (mechanical) (N)	5000	
Insulation class	E	
Ambient temperature (°C)	-25 +40**	
Altitude (m)	1000	
Standard	According to the customer requirements	
Weight (approx.) (kg)	44	55

* For more cores please contact

** It can be produced according to customer's specified ambient temperature. Please contact

INDOOR SUPPORT TYPE CAST RESIN INSULATED C.T.'S TECHNICAL DRAWING (Um=17.5kV 24kV NEW BLOCK TYPES)



TYPES	A	B	C	D	E	F	G	H
RTATB20 - 3A	455	280	178	390	140	150	375	20
RTATB20 - 3B	455	280	205	390	140	180	375	20

TIGHTENING TORQUE (Nm)	min.	max.
M5 (Secondary Terminal)	2.5	3.5
M8 (Ground Terminal)	15	20
M12 (Primary Terminal)	60	70

- All dimensions are in mm.
- Tolerances are according to DIN 7168-g when not specified.
- RVC reserves the right to change the specifications and the dimensions of the goods. Please ask for updated information.
- Customer designed products are also available.

INDOOR SUPPORT TYPE CAST RESIN INSULATED CURRENT TRANSFORMERS (Um=17.5kV 24kV NARROW BLOCK TYPES)

**Types: RTATB20 - 10
RTATB20 - 15**

- ATB 20-10 up to 1 core*
- ATB 20-15 up to 2 cores.*
- On request with capacitive layer.



Technical Data ▼

RTATB20

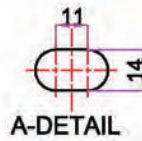
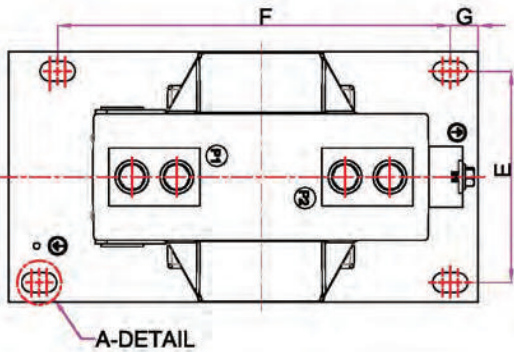
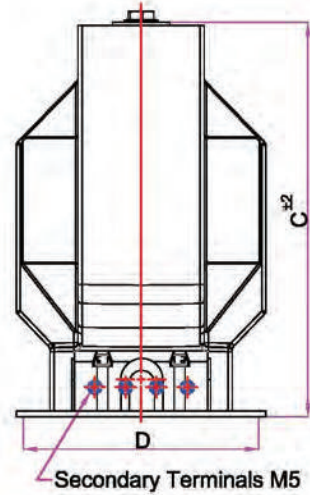
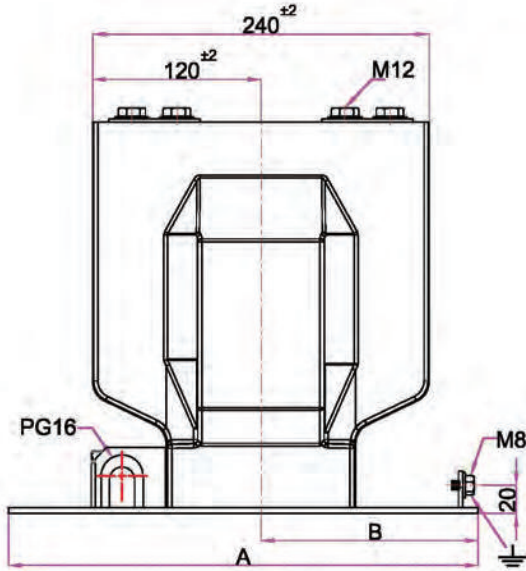
TYPES	10	15
Operating voltage, Um (kV)	17.5	24
Rated power-frequency withstand voltage (1 minute) (kV)	38	50
Rated impulse test voltage (1.2/50 μs) full wave (kV)	95	125
Rated frequency (Hz)	50-60	
Primary rated current (A)	5 up to 1250	
Primary reconnection (A)	2 x 5 - 2 x 600	
Secondary rated current (A)	1-5	
Metering classes	0.2 - 0.2S - 0.5 - 0.5S - 1 - 3 - 5 Acc. to IEC 61869-2	
Protection classes	5P- 10P; Cl:PX Acc. to IEC 61869-2	
Rated short-time thermal current (I _{th}) (I _s) (kA)	(max. 300 x I _n)**	
Rated dynamic current (I _{dyn}) (kA)	2.5 x I _{th}	
Short-time load (mechanical) (N)	5000	
Insulation class	E	
Ambient temperature (°C)	-25 +40***	
Altitude (m)	1000	
Standard	According to the customer requirements	
Weight (approx.) (kg)	20	25

* For more cores please contact

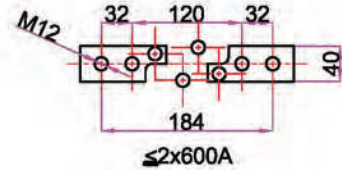
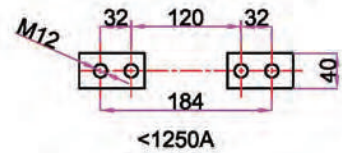
** May vary according to requested primary current and core values.

*** It can be produced according to customer's specified ambient temperature. Please contact

INDOOR SUPPORT TYPE CAST RESIN INSULATED C.T.'S TECHNICAL DRAWING (Um=17.5kV 24kV NARROW BLOCK TYPES)



Primary Connection Bars



TYPES	A	B	C	D	E	F	G
RTATB20-10	335	155	280	178	150	280	20
RTATB20-15	335	155	280	178	150	280	20

TIGHTENING TORQUE (Nm)	min.	max.
M5 (Secondary Terminal)	2.5	3.5
M8 (Ground Terminal)	15	20
M12 (Primary Terminal)	60	70

- All dimensions are in mm.
- Tolerances are according to DIN 7168-g when not specified.
- RVC reserves the right to change the specifications and the dimensions of the goods. Please ask for updated information.
- Customer designed products are also available.

INDOOR SUPPORT TYPE CAST RESIN INSULATED CURRENT TRANSFORMERS (Um=36kV BLOCK TYPES)

- Types :** RTATB30 - S
 RTATB30 - S1 (With barrier - S1B)
 RTATB30 - 1
 RTATB30 - 2 (With barrier - 2B)
 RTATB30 - 3 (With barrier - 3B)



- Up to 3 cores.*
- On request with capacitive layer.
- On request with barrier.
- On request height : 390 mm as RTATB30-S1H
 RTATB30-S2H
 RTATB30-S3H

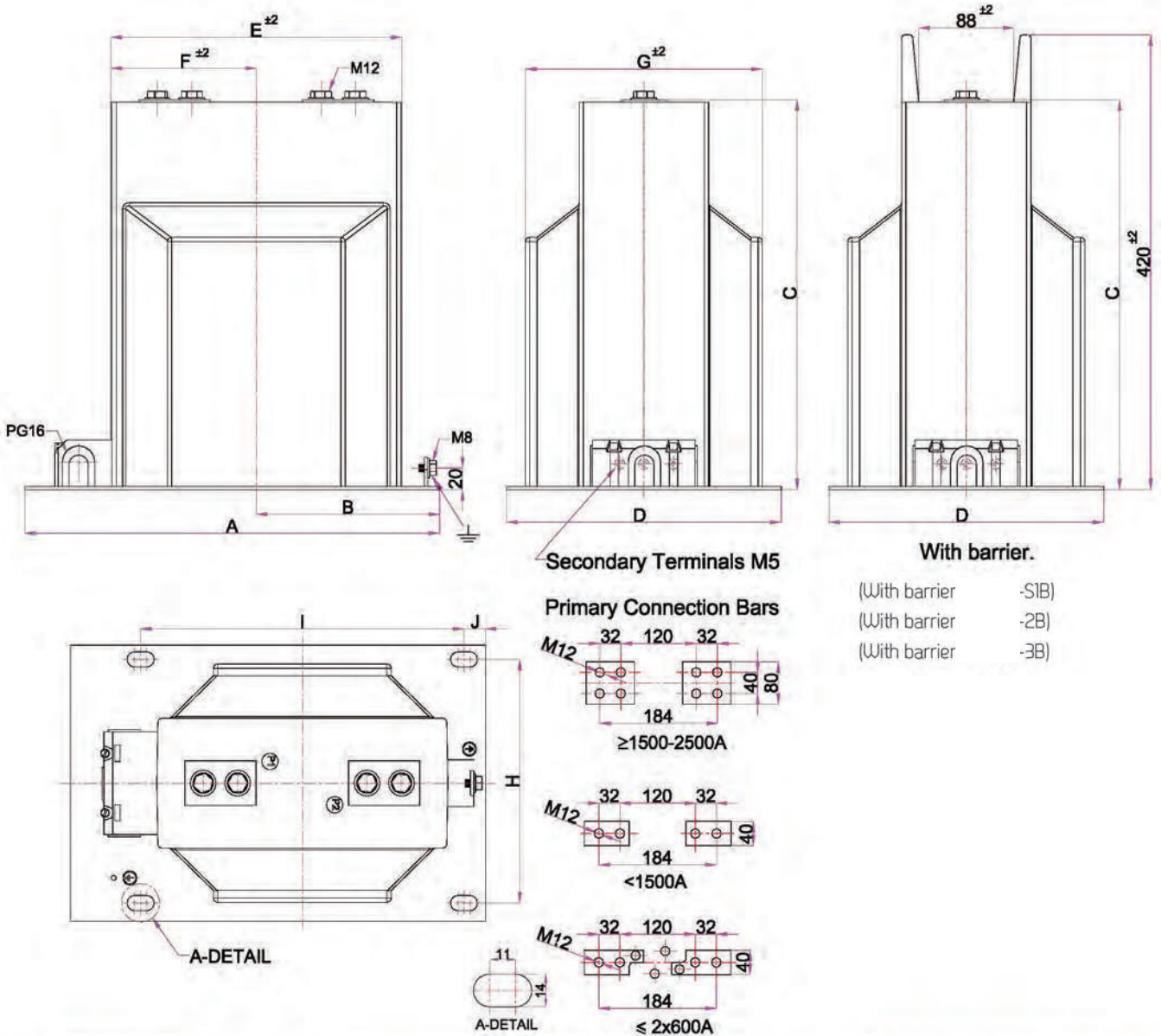
Technical Data ▼

RTATB30

TYPES	S	S1	1	2	3
Operating voltage. Um (kV)			36		
Rated power-frequency withstand voltage (1 minute) (kV)			70		
Rated impulse test voltage (1.2/50 μs) full wave (kV)			170		
Rated frequency (Hz)			50-60		
Primary rated current (A)			5 - 2500	(On request 3150A 10xIn / Cont. B Insulation class B)	
Primary reconnection (A)			2 x 5 - 2 x 600		
Secondary rated current (A)			1-5		
Metering classes	0.2 - 0.2S - 0.5 - 0.5S - 1 - 3 - 5 Acc. to IEC 61869-2				
Protection classes	5P- 10P; Cl:PX Acc. to IEC 61869-2				
Rated short-time thermal current (Ith) (Is) (kA)			max. 1000 x In		
Rated dynamic current (Idyn) (kA)			2.5 x Ith		
Short-time load (mechanical) (N)			5000		
Insulation class			E		
Ambient temperature (°C)			-25 +40**		
Altitude (m)			1000		
Standard	According to the customer requirements				
Weight (approx.) (kg)	35-40	40-48	45-50	50-55	65

* For more cores please contact
 ** It can be produced according to customer's specified ambient temperature. Please contact

INDOOR SUPPORT TYPE CAST RESIN INSULATED C.T.'S TECHNICAL DRAWING (Um=36kV BLOCK TYPES)



TYPES	A	B	C	D	E	F	G	H	I	J	TIGHTENING TORQUE (Nm)	
											min.	max
RTATB30-S	385	170	360	255	250	125	210	225	300	20	M5 (Secondary Terminal)	25 35
RTATB30-S1	385	170	360 / 390	255	270	135	220	225	300	20	M8 (Ground Terminal)	15 20
RTATB30-1	385	170	360	255	270	135	220	225	300	20	M12 (Primary Terminal)	60 70
RTATB30-2	385	170	360 / 390	255	310	155	240	225	300	20		
RTATB30-3	455	210	360 / 390	255	389	195	249	225	375	20		

- All dimensions are in mm.
- Tolerances are according to DIN 7168-g when not specified.
- RVC reserves the right to change the specifications and the dimensions of the goods. Please ask for updated information.
- Customer designed products are also available.

INDOOR SUPPORT TYPE CAST RESIN INSULATED CURRENT TRANSFORMERS (Um=36kV NARROW BLOCK TYPES)

Types : RTATB30 - 4
RTATB30 - 5
RTATB30 - 10 With barrier - 10B)
RTATB30 - 15 (With barrier - 15B)

- Types 4, 5, 10 up to 1 core.*
- Type 15 up to 2 cores.**
- On request with capacitive layer.
- On request height : 390 mm as RTATB30 - 10H
RTATB30 - 15H



RTATB30

Technical Data ▼

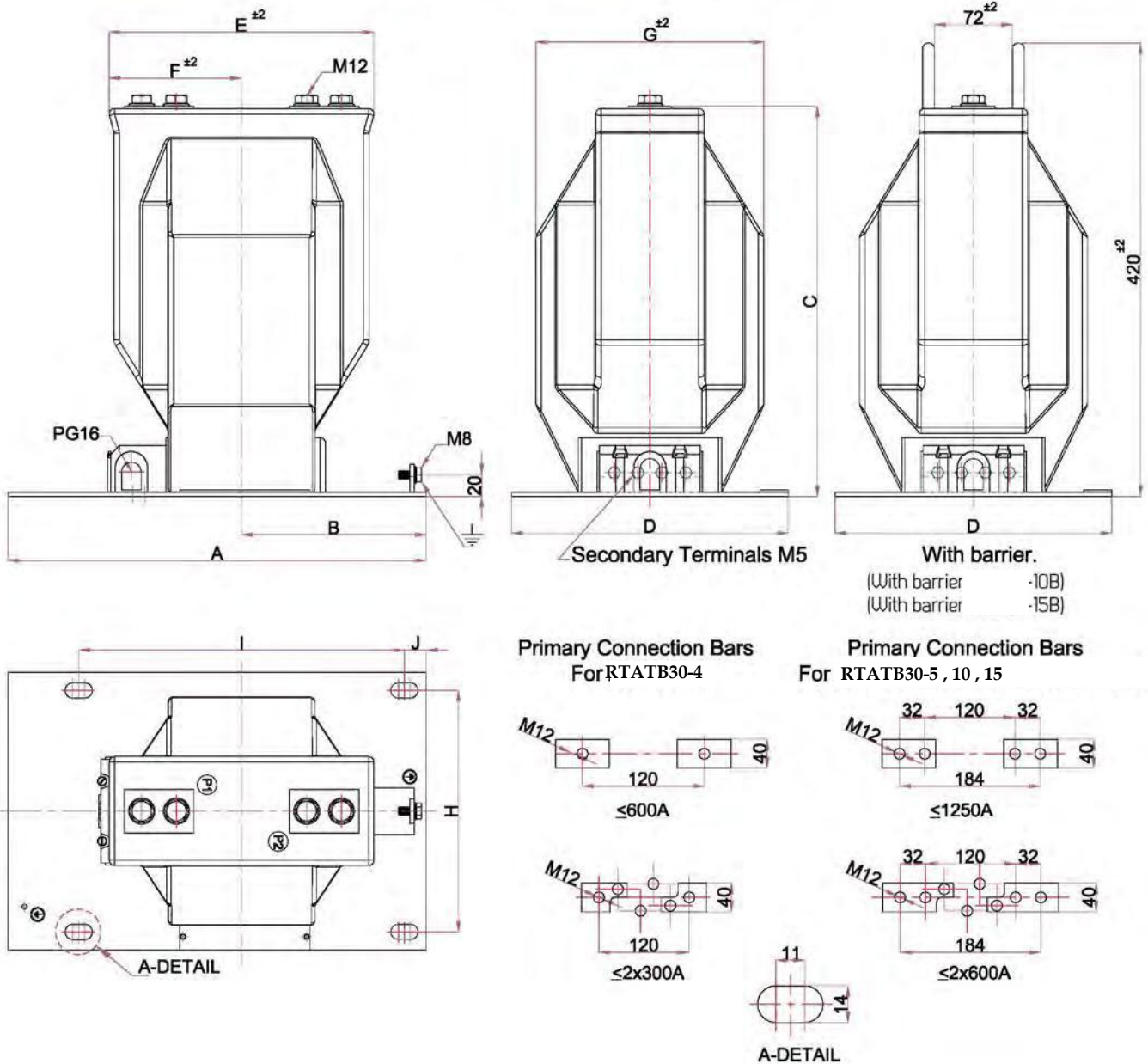
TYPES	4	5	10	15
Operating voltage, Um (kV)	36			
Rated power-frequency withstand voltage (1 minute) (kV)	70			
Rated impulse test voltage (1.2/50 μs) full wave (kV)	170			
Rated frequency (Hz)	50-60			
Primary rated current (A)	5 - up to 600		5 - up to 1250	
Primary reconnection (A)	2x5 - 2x300		2x5 - 2x600	
Secondary rated current (A)	1-5			
Metering classes	0.2 - 0.2S - 0.5 - 0.5S - 1 - 3 - 5 Acc. to IEC 61869-2			
Protection classes	5P- 10P: Cl:PX Acc. to IEC 61869-2			
Rated short-time thermal current (Ith) (Is) (kA)	max. 300xIn** <small>(for 1 measurement core)</small>	max. 400xIn** <small>(for 1 measurement core)</small>	max. 800xIn** <small>(for 1 measurement core)</small>	max. 300xIn** <small>(for 2 cores)</small>
Rated dynamic current (Idyn) (kA)	2.5 x Ith			
Short-time load (mechanical) (N)	5000			
Insulation class	E			
Ambient temperature (°C)	-25 +40***			
Altitude (m)	1000			
Standard	According to the customer requirements			
Weight (approx.) (kg)	20	22	30-35	35-40

* For more cores please contact

** May vary according to requested primary current and core values.

*** It can be produced according to customer's specified ambient temperature. Please contact

INDOOR SUPPORT TYPE CAST RESIN INSULATED C.T.'S TECHNICAL DRAWING (Um=36kV NARROW BLOCK TYPES)



TYPES	A	B	C	D	E	F	G	H	I	J	TIGHTENING TORQUE (Nm)	min	max
RTATB30-4	385	170	360		255	200	100	180	225	300	20	2.5	3.5
RTATB30-5	385	170	360		255	250	125	210	225	300	20	15	20
RTATB30-10	385	170	360/390	ATB 30-10H	255	250	125	210	225	300	20		
RTATB30-15	385	170	360/390	ATB 30-15H	255	250	125	210	225	300	20		

- All dimensions are in mm.
- Tolerances are according to DIN 7168-g when not specified.
- RVC reserves the right to change the specifications and the dimensions of the goods. Please ask for updated information.
- Customer designed products are also available.

**INDOOR SUPPORT TYPE CAST RESIN INSULATED NARROW TYPE CURRENT TRANSFORMERS
(Um=7.2kV 24kV BLOCK TYPES)**

Type : RTATU24



- Up to 2 cores.

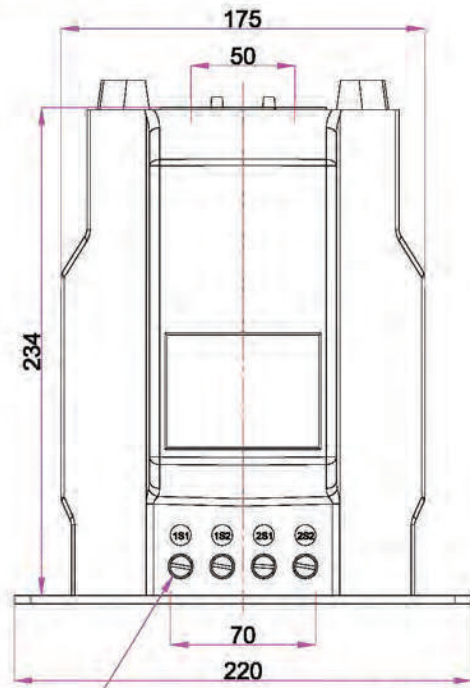
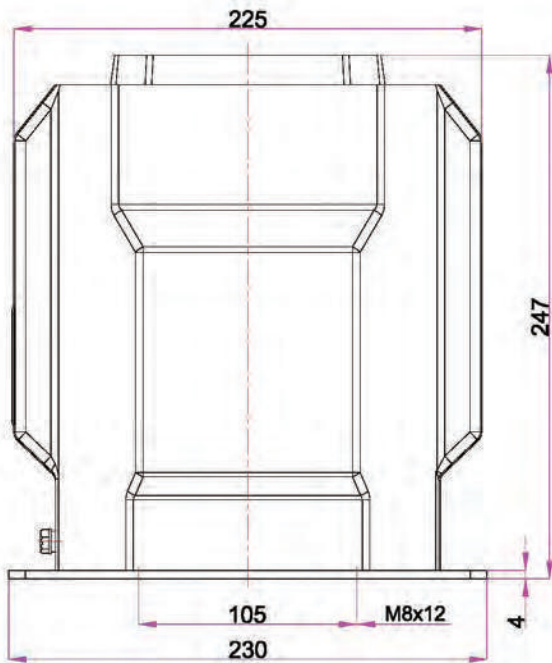
Technical Data

TYPES	RTATU24			
Operating voltage, Um (kV)	7.2	12	17.5	24
Rated power-frequency withstand voltage (1 minute) (kV)	20	28	38	50
Rated impulse test voltage (1.2/50 µs) full wave (kV)	60	75	95	125
Rated frequency (Hz)	50-60			
Primary rated current (A)	10 - up to 800			
Primary reconnection (A)	2x10 - 2x400			
Secondary rated current (A)	1-5			
Metering classes	0.2 - 0.2S - 0.5 - 0.5S - 1 - 3 - 5 Acc. to IEC 61869-2			
Protection classes	5P- 10P Acc. to IEC 61869-2			
Rated short-time thermal current (I _{th}) (I _s) (kA)	100 x I _n *			
Rated dynamic current (I _{dyn}) (kA)	2.5 x I _{th}			
Short-time load (mechanical) (N)	5000			
Insulation class	E			
Ambient temperature (°C)	-25.....+40**			
Altitude (m)	1000			
Standard	According to the customer requirements			
Weight (approx.) (kg)	24			

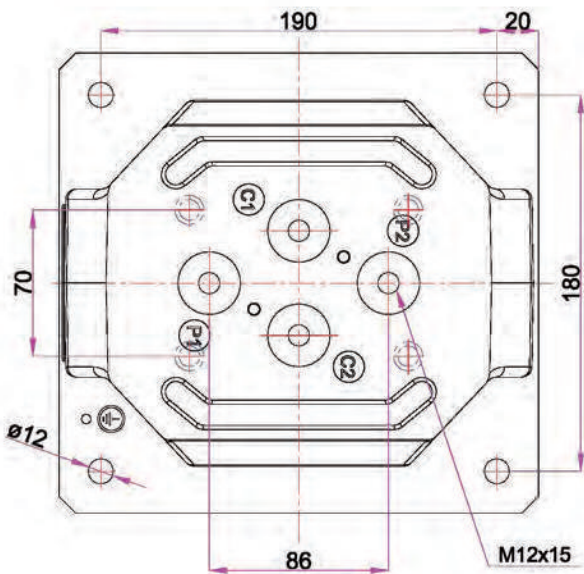
* May vary according to requested primary current and core values.

** It can be produced according to customer's specified ambient temperature. Please contact

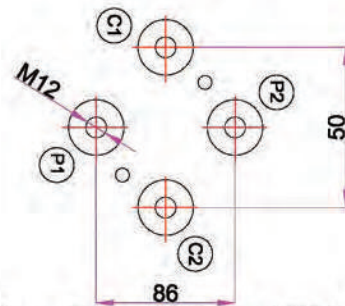
INDOOR SUPPORT TYPE CAST RESIN INSULATED NARROW TYPE C.T.'S
TECHNICAL DRAWING
 (Um=7.2kV 24kV BLOCK TYPES)



Secondary Terminals M6



PRIMARY CHANGEABLE



Primary Reconnection $\geq 2X10A \leq 2X400A$

SINGLE PRIMARY



Primary Current 10A up to 800A

- All dimensions are in mm.
- Tolerances are according to DIN 7168-g when not specified.
- RVC reserves the right to change the specifications and the dimensions of the goods. Please ask for updated information.
- Customer designed products are also available.

**INDOOR SUPPORT TYPE CAST RESIN INSULATED SPECIAL TYPE
CURRENT TRANSFORMERS
(Um=7.2kV 24kV BLOCK TYPES)**

Type : RTES24CE-B



- Up to 2 cores.

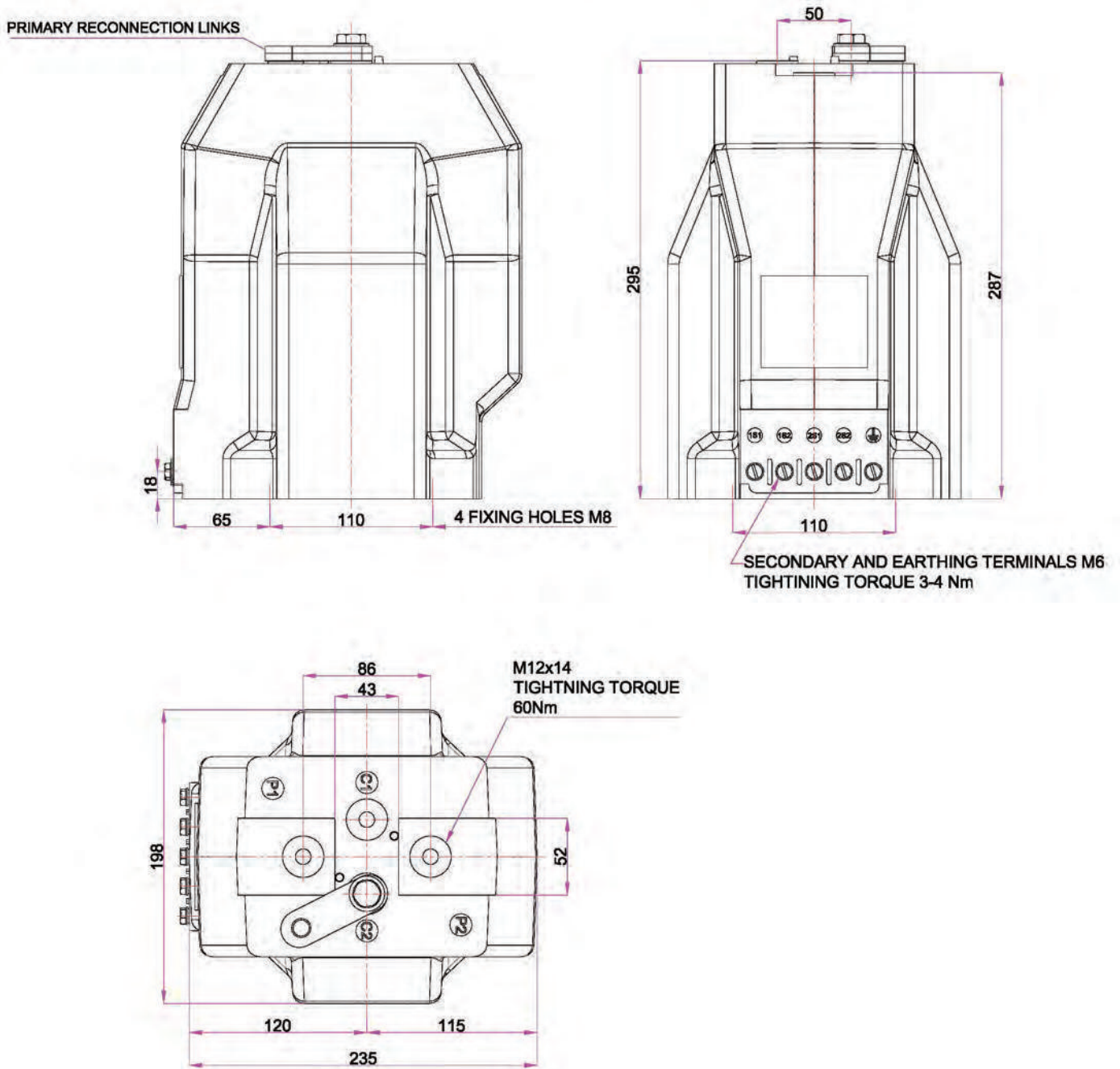
Technical Data ✓

TYPES	RTES24CE-B			
Operating voltage, Um (kV)	7.2	12	17.5	24
Rated power-frequency withstand voltage (1 minute) (kV)	20	28	38	50
Rated impulse test voltage (1.2/50 μs) full wave (kV)	60	75	95	125
Rated frequency (Hz)	50-60			
Primary rated current (A)	10 - up to 800			
Primary reconnection (A)	2x10 - 2x400			
Secondary rated current (A)	1-5			
Metering classes	0.2 - 0.2S - 0.5 - 0.5S - 1 - 3 - 5 Acc. to IEC 61869-2			
Protection classes	5P-10P-PX Acc. to IEC 61869-2			
Rated short-time thermal current (I _{th}) (I _s) (kA)	Up to 60kA*			
Rated dynamic current (I _{dyn}) (kA)	2.5 x I _{th}			
Short-time load (mechanical) (N)	5000			
Insulation class	E			
Ambient temperature (°C)	-25.....+40**			
Altitude (m)	1000			
Standard	According to the customer requirements			
Weight (approx.) (kg)	25			

* May vary according to requested primary current and core values.

** It can be produced according to customer's specified ambient temperature. Please contact

INDOOR SUPPORT TYPE CAST RESIN INSULATED SPECIAL TYPE C.T.'S
TECHNICAL DRAWING
(Um=7.2kV 24kV BLOCK TYPES)



- All dimensions are in mm.
- Tolerances are according to DIN 7168-g when not specified.
- RVC reserves the right to change the specifications and the dimensions of the goods. Please ask for updated information.
- Customer designed products are also available.

INDOOR POST BUSBAR TYPE CAST RESIN INSULATED CURRENT TRANSFORMERS
(Um=3.6kV24kV)

Types : RTATD10
RTATD20

- Up to 2 cores.*



INDOOR POST BUSBAR TYPE CAST RESIN INSULATED CURRENT TRANSFORMERS
(Um=3.6kV.....17.5kV)

Types : RTATN17 - 1
RTATN17 - 2
RTATN18
RTATN19
RTESO17C
RTAR01A
RTAR02

- Up to 3 cores.*



OUTDOOR DRY TYPE CAST RESIN INSULATED CURRENT TRANSFORMERS
(Um=3.6kV24kV)

Types : RTATH20 > up to 1 core*
RTATH20-S >
RTATH21 > up to 2 cores*
RTATH21-2 >
RTATH22-N up to 3 cores*



For the connection
of aluminium conductors
steel reinforced



RTATH

OUTDOOR DRY TYPE CAST RESIN INSULATED CURRENT TRANSFORMERS
(Um=36kV)

Types: RTATH30 up to 2 cores*
RTATH32 up to 3 cores*



For the connection
of aluminium conductors
steel reinforced



OUTDOOR DRY TYPE CAST RESIN INSULATED CURRENT TRANSFORMERS
(Um=52kV)

Type : RTATH52 up to 2 cores*



For the connection
of aluminium conductors
steel reinforced



OUTDOOR DRY TYPE CAST RESIN INSULATED
72.5 kV CURRENT TRANSFORMERS & 72.5 kV VOLTAGE TRANSFORMERS

Types: RTATH72-N Current Transformer
RTVTH72-N Voltage Transformer



TRASFORMATORI DI TENSIONE

VOLTAGE TRANSFORMERS

INDOOR SINGLE PHASE SUPPORT TYPE CAST RESIN INSULATED
VOLTAGE TRANSFORMERS
(Um=3.6kV.....24kV BLOCK TYPES)

Types: RVVTB10-S
RVVTB10-K
RVVTB20
RVVTB20-K



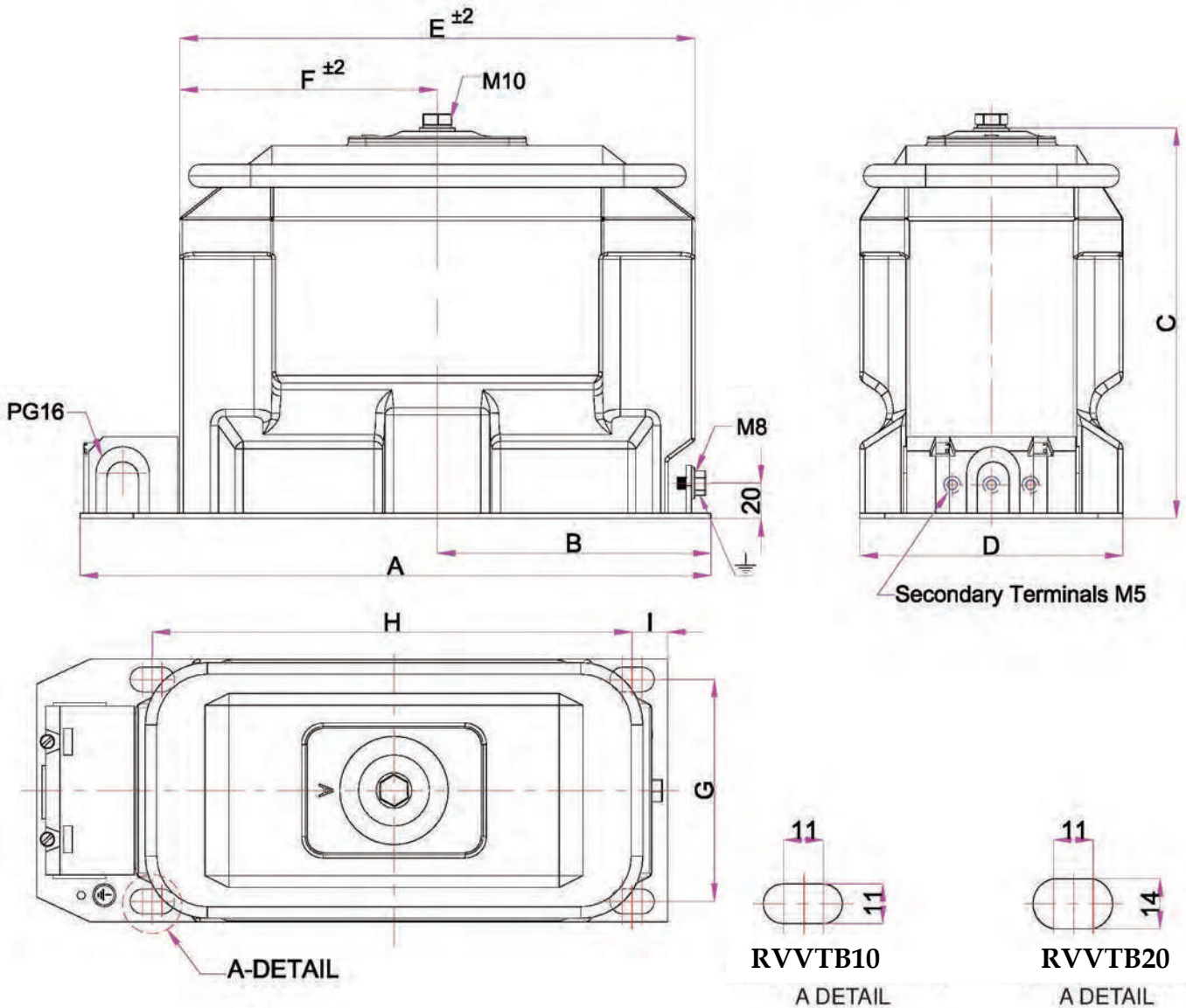
Technical Data

RVVTB

TYPES	10-S		10-K		20		20-K	
Operating voltage. Um (kV)	3.6	7.2	12	17.5	17.5		24	
Rated power-frequency withstand voltage (1 minute) (kV)	10	20	28	38	38		50	
Rated impulse test voltage (1.2/50 μs) full wave (kV)	40	60	75	95	95		125	
Rated frequency (Hz)	50-60							
Rated primary voltage (max.) (kV)	12/√3				24/√3			
Secondary voltage (V)	100/√3	110/√3	120/√3	100/3	110/3	120/3		
Rated burden (max.) in class 0.2 (VA)	30				50			
Rated burden (max.) in class 0.5 (VA)	100				120			
Rated burden (max.) in class 1 (VA)	200				250			
Rated burden for protection purpose in class 3P (VA)					100			
Rated voltage factor (30 sec. or 8h) (Un)					1.9			
Insulation class					E			
Ambient temperature (°C)					-25 +40*			
Altitude (m)					1000			
Standard	According to the customer requirements							
Weight (approx.) (kg)	27				37			

* It can be produced according to customer's specified ambient temperature. Please contact

**INDOOR SINGLE PHASE SUPPORT TYPE CAST RESIN INSULATED
VOLTAGE TRANSFORMERS TECHNICAL DRAWING**
(Um=3,6kV.....24kV BLOCK TYPES)



TYPES	A	B	C	D	E	F	G	H	I	TIGHTENING TORQUE (Nm)	
										min.	max.
RVVTB10-S	355	155	220	148	290	145	125	270	20	M5 (Secondary Terminal)	
RVVTB10-K	355	155	220	148	290	145	125	270	20	M8 (Ground Terminal)	
RVVTB20	355	155	280	178	290	145	150	280	20	M10 (Primary Terminal)	
RVVTB20-K	355	155	280	178	290	145	150	280	20		

- All dimensions are in mm.
- Tolerances are according to DIN 7168-g when not specified.
- RVC reserves the right to change the specifications and the dimensions of the goods. Please ask for updated information.
- Customer designed products are also available.

**INDOOR SINGLE PHASE SUPPORT TYPE CAST RESIN INSULATED
VOLTAGE TRANSFORMERS
(Um=36kV Block Types)**

Type: RVVTB30-K



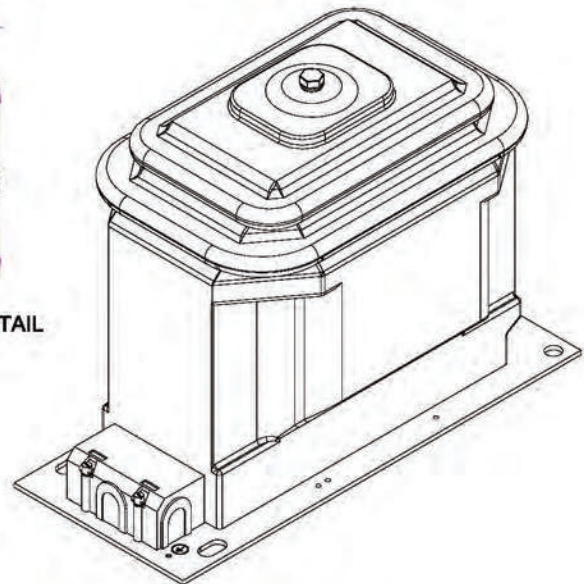
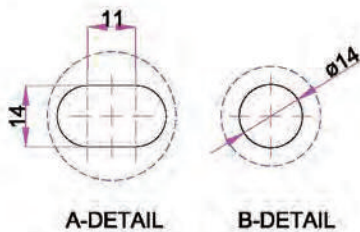
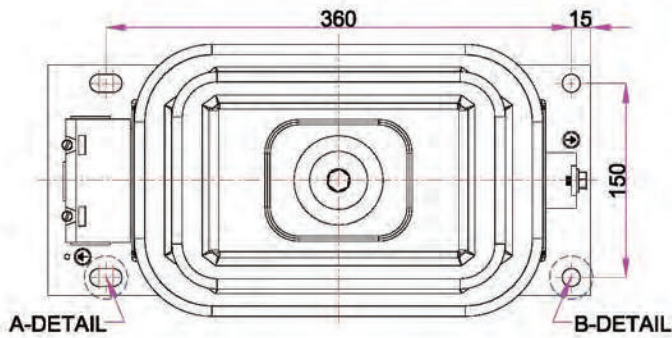
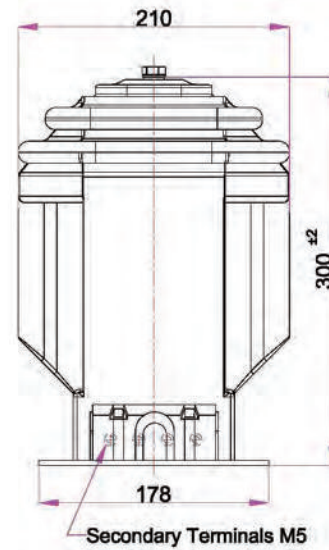
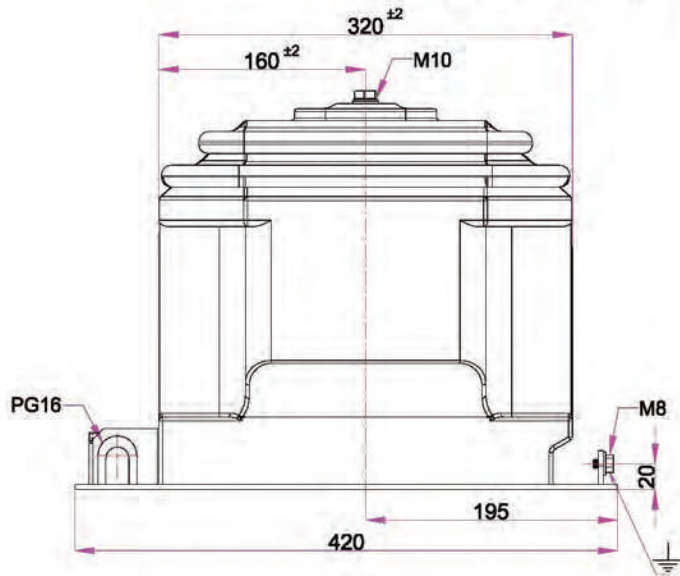
Technical Data ✓

TYPES	RVVTB30-K					
Operating voltage, Um (kV)	36					
Rated power-frequency withstand voltage (1 minute) (kV)	70					
Rated impulse test voltage (1,2/50 μs) full wave (kV)	170					
Rated frequency (Hz)	50-60					
Rated primary voltage (max.) (kV)	36/√3					
Secondary voltage (V)	100/√3	100/3	110/√3	110/3	120/√3	120/3
Rated burden (max.) in class 0,2 (VA)	50					
Rated burden (max.) in class 0,5 (VA)	120					
Rated burden (max.) in class 1 (VA)	250					
Rated burden for protection purpose in class 3P (VA)	100					
Rated voltage factor (30 sec. or 8h) (Un)	1,9					
Insulation class	E					
Ambient temperature (°C)	-25 +40*					
Altitude (m)	1000					
Standard	According to the customer requirements					
Weight (approx.) (kg)	46					

* It can be produced according to customer's specified ambient temperature. Please contact

INDOOR SINGLE PHASE SUPPORT TYPE CAST RESIN INSULATED VOLTAGE TRANSFORMERS TECHNICAL DRAWING

(Um=36kV Block Types)



TIGHTENING TORQUE (Nm)	min.	max.
M5 (Secondary Terminal)	2.5	3.5
M8 (Ground Terminal)	15	20
M10 (Primary Terminal)	30	40

- All dimensions are in mm.
- Tolerances are according to DIN 7168-g when not specified.
- RVC reserves the right to change the specifications and the dimensions of the goods. Please ask for updated information.
- Customer designed products are also available.

**INDOOR SINGLE PHASE SUPPORT TYPE CAST RESIN INSULATED
VOLTAGE TRANSFORMERS**
(Um=24kV & 36kV Large Types)

**Types: RVVT20-B
RVVTB30
RVVTB30-1
RVVTB30-200**



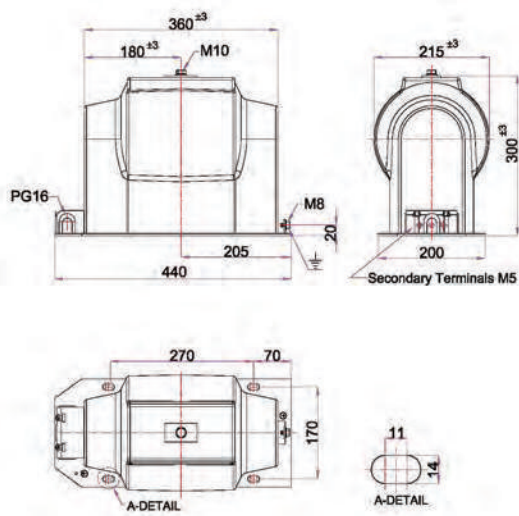
Technical Data ▾

TYPES	RVVT		RVVTB		
	20-B		30	30-1	30-200
Operating voltage, Um (kV)	17.5	24		36	
Rated power-frequency withstand voltage (1 minute) (kV)	38	50		70	
Rated impulse test voltage (1.2/50 μs) full wave (kV)	95	125	170		200
Rated frequency (Hz)	50-60				
Rated primary voltage (max.) (kV)	17.5/√3	24/√3	36/√3		
Secondary voltage (V)	100/√3	110/√3	120/√3 & Suitable for 220V winding		
Rated burden (max.) in class 0.2 (VA)	50				
Rated burden (max.) in class 0.5 (VA)	150				
Rated burden (max.) in class 1 (VA)	300				
Rated burden for protection purpose in class 3P (VA)	100				
Rated burden for 220V winding (VA)	800				
Rated voltage factor (30 sec. or 8h) (Un)	1.9				
Insulation class	E				
Ambient temperature (°C)	-25+40*				
Altitude (m)	1000				
Standard	According to the customer requirements				
Weight (approx.) (kg)	45		50-60		62

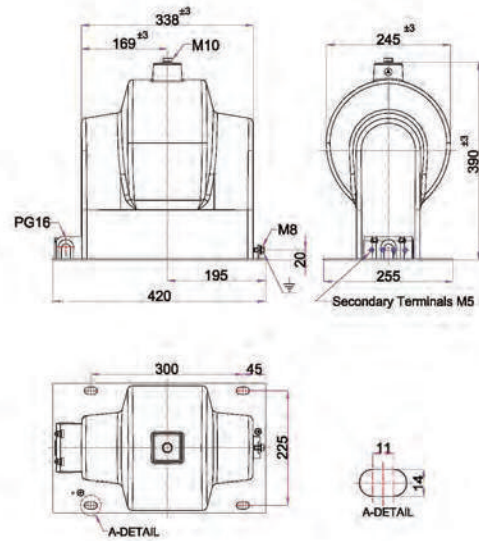
* It can be produced according to customer's specified ambient temperature. Please contact

**INDOOR SINGLE PHASE SUPPORT TYPE CAST RESIN INSULATED
VOLTAGE TRANSFORMERS
TECHNICAL DRAWING
(Um=24kV & 36kV Large Types)**

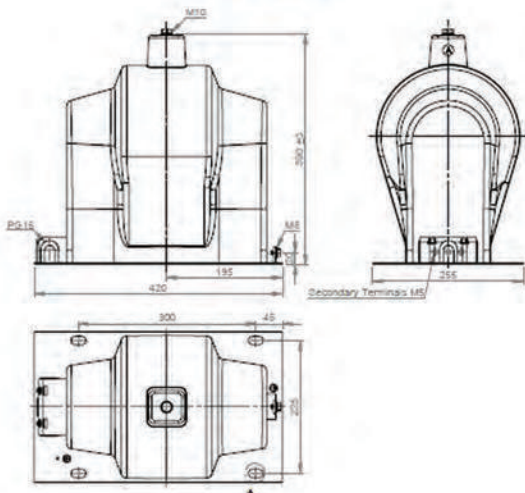
RVVT20-B



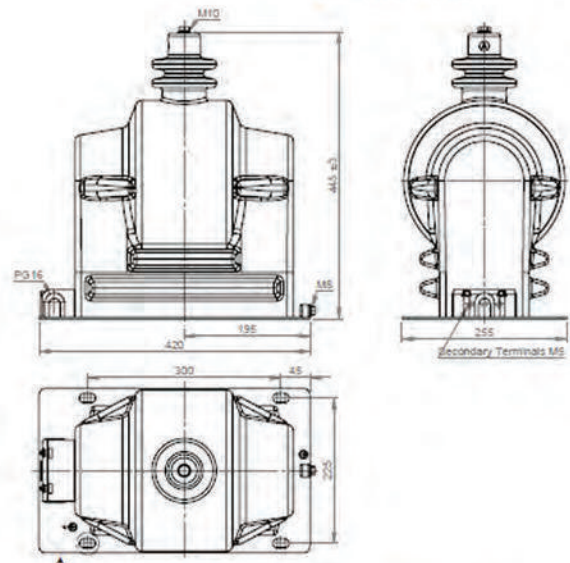
RVVTB30



RVVTB30-1



RVVTB30-200



TIGHTENING TORQUE (Nm)	min.	max.
M5 (Secondary Terminal)	2.5	3.5
M8 (Ground Terminal)	15	20
M10 (Primary Terminal)	30	40

- All dimensions are in mm.
- Tolerances are according to DIN 7168-g when not specified.
- RVC reserves the right to change the specifications and the dimensions of the goods. Please ask for updated information.
- Customer designed products are also available.

INDOOR PHASE TO PHASE SUPPORT TYPE CAST RESIN INSULATED VOLTAGE TRANSFORMERS (Um=3.6kV.....24kV BLOCK TYPES)

**Types: RV2VTB10
RV2VTB20**

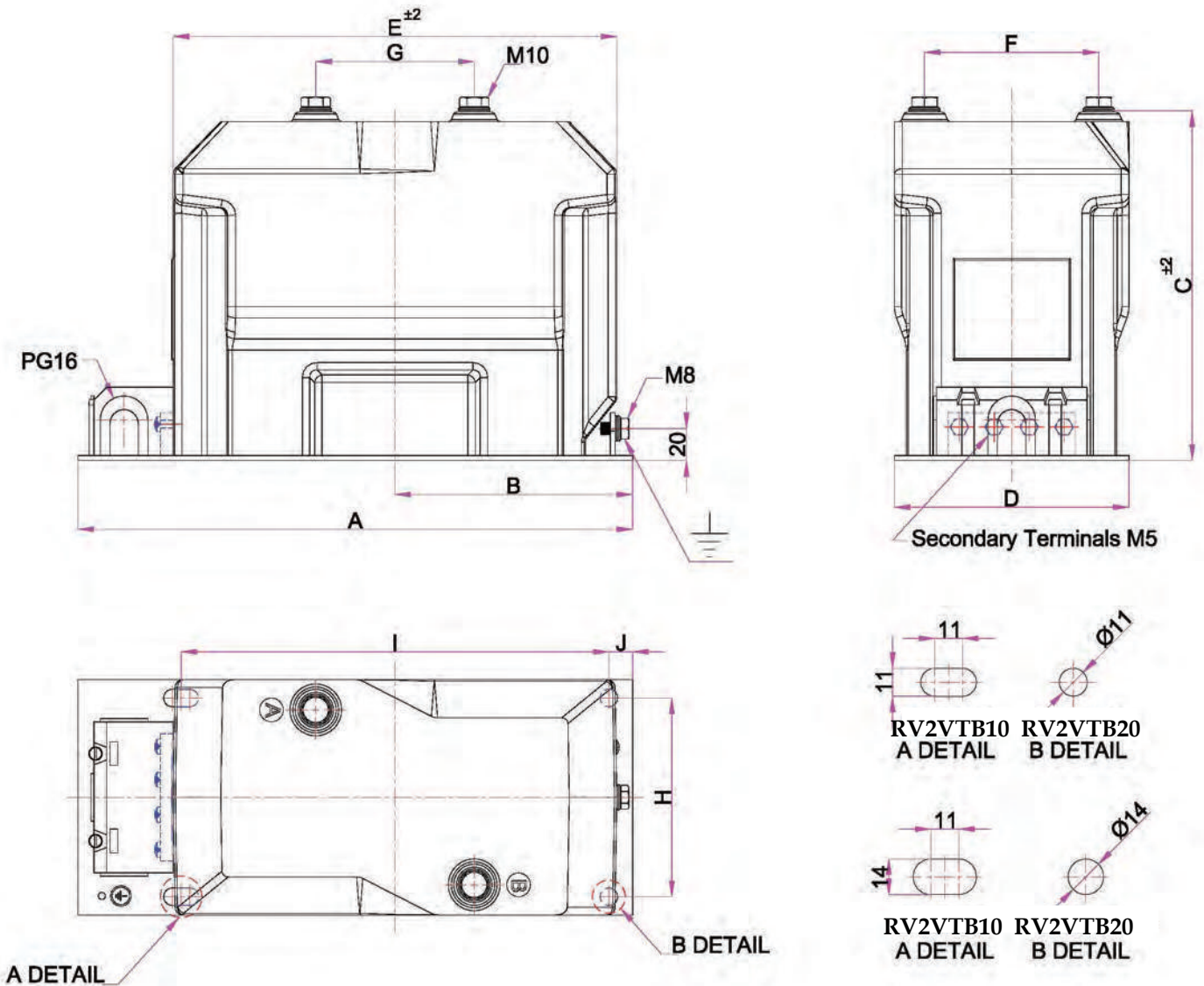


Technical Data ▼

TYPES	RV2VTB10			RV2VTB20	
Operating voltage, Um (kV)	3.6	7.2	12	17.5	24
Rated power-frequency withstand voltage (1 minute) (kV)	10	20	28	38	50
Rated impulse test voltage (1.2/50 μs) full wave (kV)	40	60	75	95	125
Rated frequency (Hz)	50-60				
Rated primary voltage (max.) (kV)	12			24	
Secondary voltage (V)	100	110	120	120	
Rated burden (max.) in class 0.2 (VA)	15				
Rated burden (max.) in class 0.5 (VA)	60				
Rated burden (max.) in class 1 (VA)	100				
Rated voltage factor (Cont.) (Un)	1,2				
Insulation class	E				
Ambient temperature (°C)	-25 +40*				
Altitude (m)	1000				
Standard	According to the customer requirements				
Weight (approx.) (kg)	28			37	

* It can be produced according to customer's specified ambient temperature. Please contact

**INDOOR PHASE TO PHASE SUPPORT TYPE CAST RESIN INSULATED
VOLTAGE TRANSFORMERS TECHNICAL DRAWING**
(Um=3,6kV.....24kV BLOCK TYPES)



TYPES	A	B	C	D	E	F	G	H	I	J
RV2VTB10	350	150	220	148	280	110	100	125	270	15
RV2VTB20	355	155	280	178	290	130	165	150	280	15

TIGHTENING TORQUE (Nm)	min.	max.
M5 (Secondary Terminal)	2.5	3.5
M8 (Ground Terminal)	15	20
M10 (Primary Terminal)	30	40

- All dimensions are in mm.
- Tolerances are according to DIN 7168-g when not specified.
- RVC reserves the right to change the specifications and the dimensions of the goods. Please ask for updated information.
- Customer designed products are also available.

INDOOR PHASE TO PHASE SUPPORT TYPE CAST RESIN INSULATED VOLTAGE TRANSFORMERS
(Um=3,6kV.....36kV LARGE TYPES)

Type: RV2VT20-B
RV2VTB30
RV2VT40-200

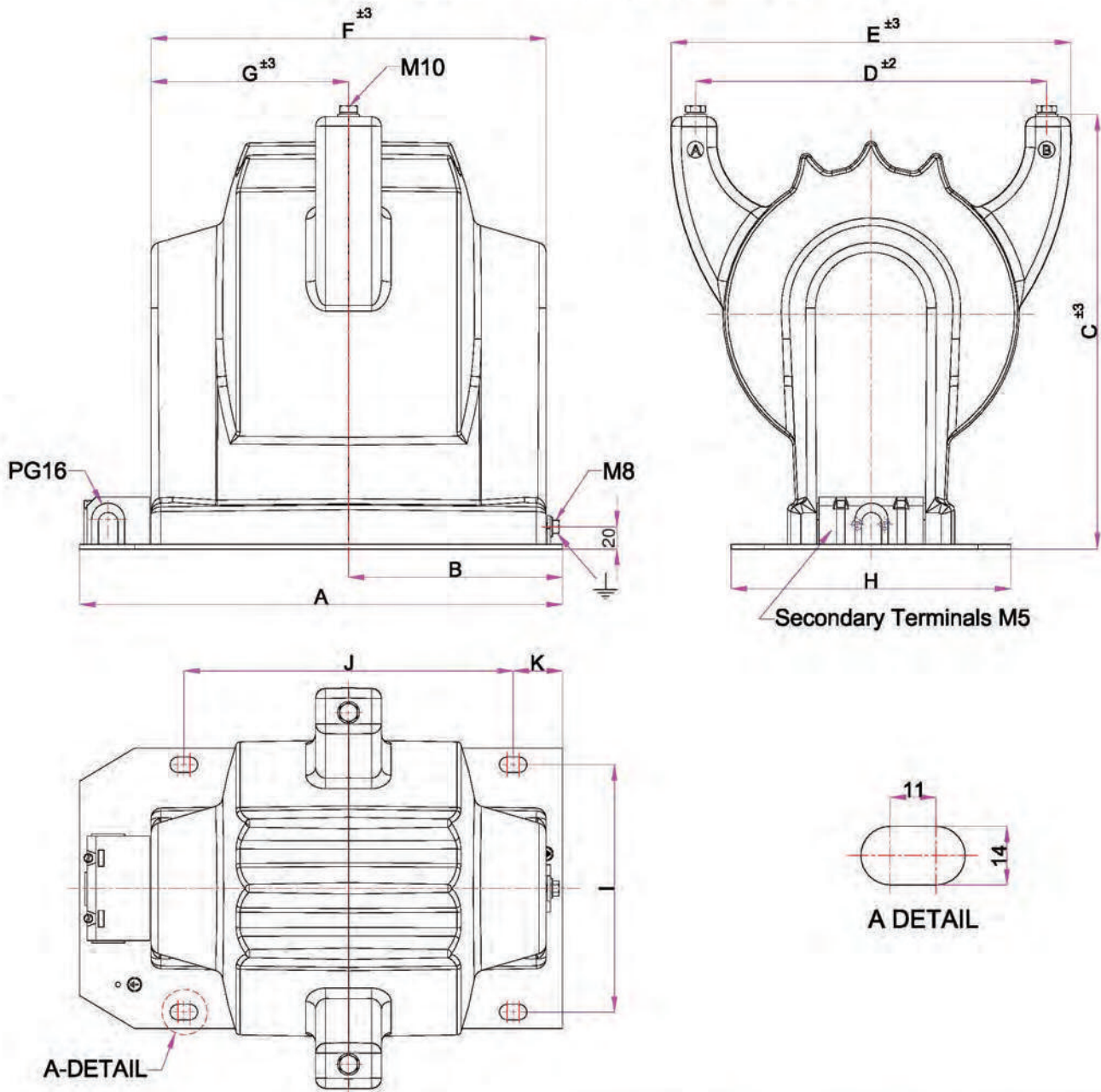


Technical Data ▾

TYPES	RV2VT20-B	RV2VTB30	RV2VT40-200
Operating voltage, Um (kV)	17,5 24	36	36
Rated power-frequency withstand voltage (1 minute) (kV)	38 50	70	70
Rated impulse test voltage (1,2/50 μs) full wave (kV)	95 125	170	200
Rated frequency (Hz)	50-60		
Rated primary voltage (max.) (kV)	24	36	36
Secondary voltage (V)	100 - 110 - 120 & Suitable for 220V winding.		
Rated burden (max.) in class 0,2 (VA)	30		
Rated burden (max.) in class 0,5 (VA)	120		
Rated burden (max.) in class 1 (VA)	200		
Rated burden for 220V winding (VA)	800		
Rated voltage factor (Cont.) (Un)	1,2		
Insulation class	E		
Ambient temperature (°C)	-25 +40*		
Altitude (m)	1000		
Standard	According to the customer requirements		
Weight (approx.) (kg)	48	65	73

* It can be produced according to customer's specified ambient temperature. Please contact

**INDOOR PHASE TO PHASE SUPPORT TYPE CAST RESIN INSULATED
VOLTAGE TRANSFORMERS TECHNICAL DRAWING**
(Um=3.6kV.....36kV LARGE TYPES)

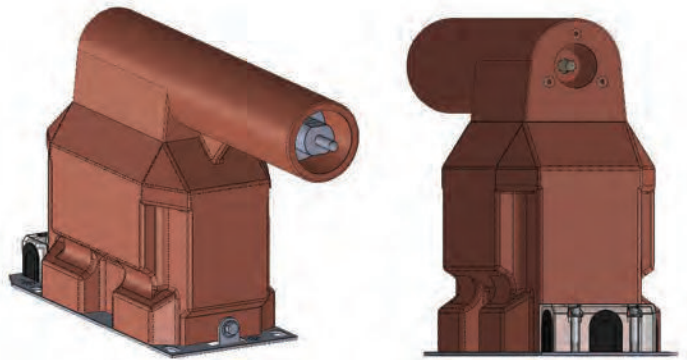


TYPES	A	B	C	D	E	F	G	H	I	J	K	TIGHTENING TORQUE (Nm)		
												min.	max.	
RV2VT20-B	440	205	300	210	250	360	180	200	170	270	70	M5 (Secondary Terminal)	2.5	3.5
RV2VTB30	440	195	395	320	363	360	180	255	225	300	45	M8 (Ground Terminal)	15	20
RV2VT40-200	480	220	445	350	390	370	185	255	225	300	70	M10 (Primary Terminal)	30	40

- All dimensions are in mm.
- Tolerances are according to DIN 7168-g when not specified.
- RVC reserves the right to change the specifications and the dimensions of the goods. Please ask for updated information.
- Customer designed products are also available.

**INDOOR SINGLE PHASE CAST RESIN INSULATED
WITH STRIKER PIN SIGNALLING BUILT IN FUSE WITHDRAWABLE TYPE
VOLTAGE TRANSFORMERS
(Um=3.6kV.....24kV BLOCK TYPES)**

**Types: RVVTB10-KFP
RVVTB20-KFP**



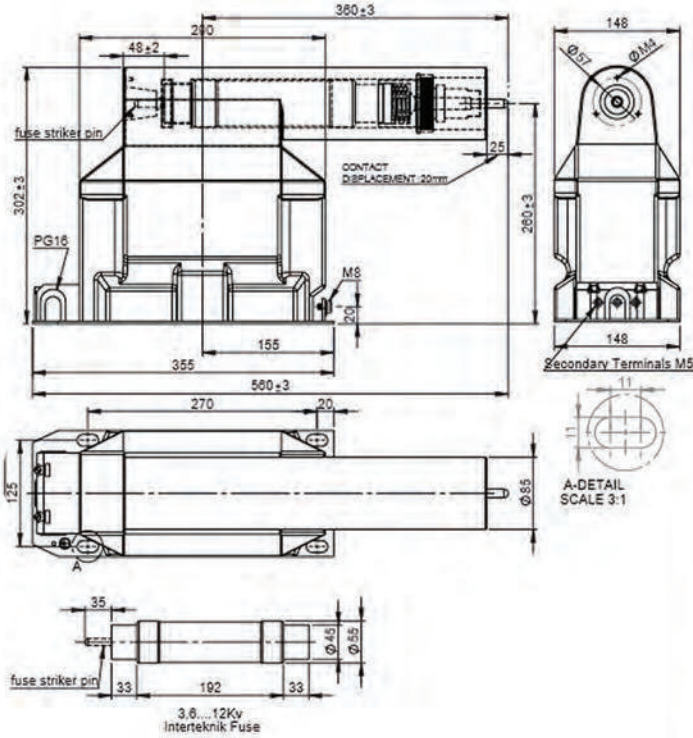
Technical Data

TYPES	RVVTB10-KFP	RVVTB20-KFP
Operating voltage. Um (kV)	3.6 7.2 12	17.5 24
Rated power-frequency withstand voltage (1 minute) (kV)	10 20 28	38 50
Rated impulse test voltage (1.2/50 µs) full wave (kV)	60 75	95 125
Rated frequency (Hz)	50-60	
Rated primary voltage (max.) (kV)	12/√3	24/√3
Secondary voltage (V)	100/√3 110/√3 120/√3	100/3 110/3 120/3
Rated burden (max.) in class 0.2 (VA)	30	50
Rated burden (max.) in class 0.5 (VA)	100	120
Rated burden (max.) in class 1 (VA)	200	250
Rated burden for protection purpose in class 3P (VA)	100	
Rated voltage factor (30 sec. or 8 h) (Un)	1.9	
Insulation class	E	
Ambient temperature (°C)	-25 +40*	
Altitude (m)	1000	
Standard	According to the customer requirements	
Weight (approx.) (kg)	32	42

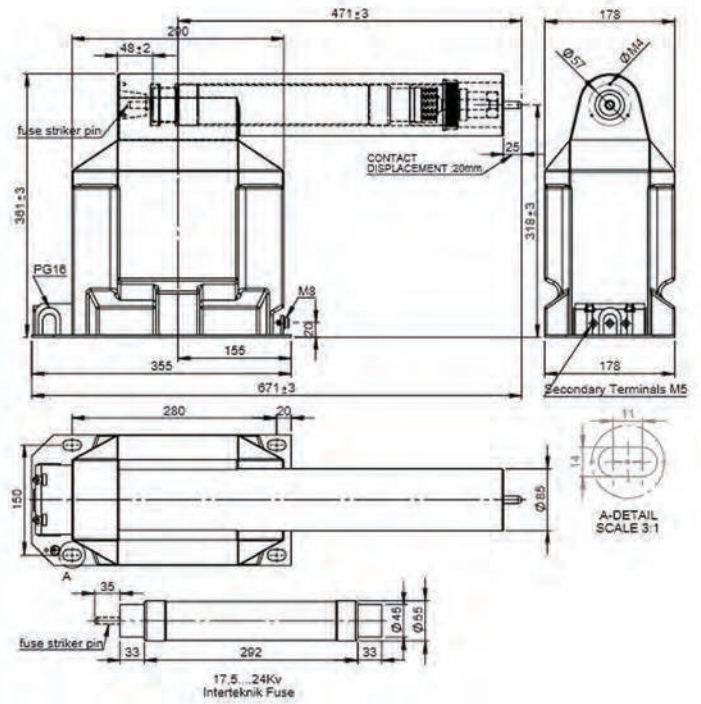
* It can be produced according to customer's specified ambient temperature. Please contact

**INDOOR SINGLE PHASE CAST RESIN INSULATED
WITH STRIKER PIN SIGNALLING BUILT IN FUSE WITHDRAWABLE TYPE
VOLTAGE TRANSFORMERS
(Um=3.6kV.....24kV BLOCK TYPES)**

RVVTB10-KFP



RVVTB20-KFP



TIGHTENING TORQUE (Nm)	min.	max.
M5 (Secondary Terminal)	2.5	3.5
M8 (Ground Terminal)	15	20

- All dimensions are in mm.
- Tolerances are according to DIN 7168-g when not specified.
- RVC reserves the right to change the specifications and the dimensions of the goods. Please ask for updated information.
- Customer designed products are also available.

----- **A Richiesta / On Request** -----

**OUTDOOR DRY TYPE SINGLE PHASE CAST RESIN INSULATED
VOLTAGE TRANSFORMERS
(Um=3,6kV.....36kV)**

**Types: RVVTH20
RVVTH30**



Clamp type terminal
for high voltage connection.



**OUTDOOR DRY TYPE SINGLE PHASE CAST RESIN INSULATED
VOLTAGE TRANSFORMERS
(Um=3,6kV.....36kV)**

**Types: RVVTH20-N
RVVTH30-N**



Clamp type terminal
for high voltage connection.

